

BAUMANN EHX 30 - 50

Electro Drive
AC-Technology
3 - 5 t Load
Capacity



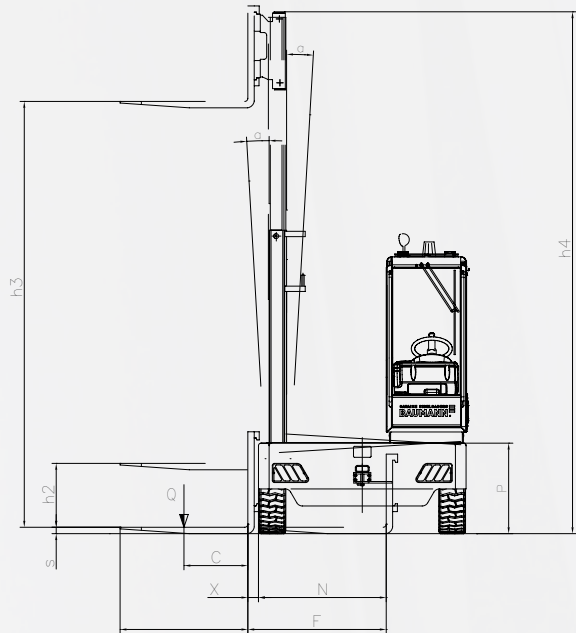
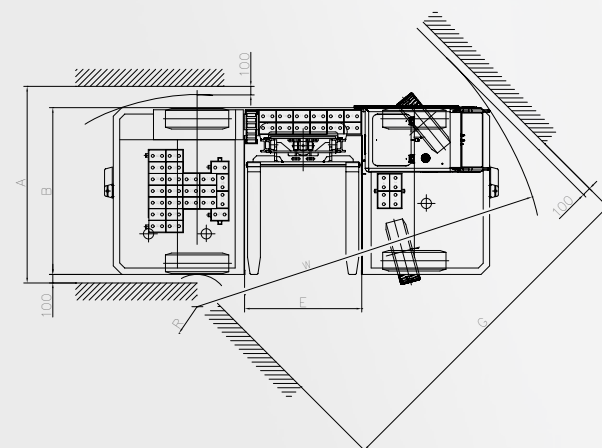
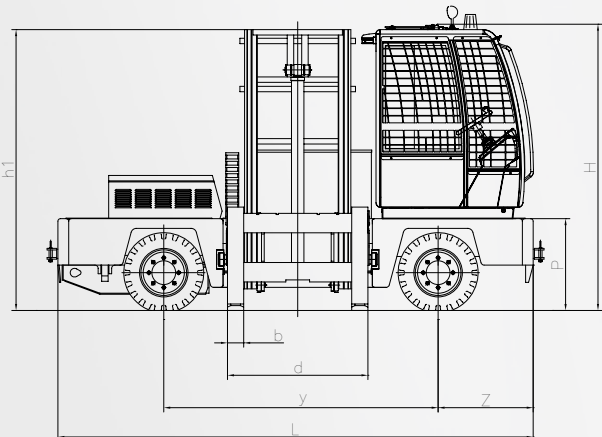
CAVAION SIDELOADERS
BAUMANN 

TYPE	Serie EHX 30			Serie EHX 40			Serie EHX 50	
Technical Data								
Lifting capacity	Q	Kg	3000		4000		5000	
Load centre	C	mm	600/700		600/700		600/700	
Fork length	l	mm	1200/1400		1200/1400		1200/1400	
Fork width	b	mm	150		150		150/180	
Fork thickness	s	mm	50		50		60/50	
Drive			Electro		Electro		Electro	
Type of steering			Hydrostatic					
Type of tyres			Pneumatic tyres					
Dimensions								
Total length	L	mm	4100		4100		4400	
Total width	B	mm	1950/2150		1950/2150		1950/2150	
Overall height mast lowered	h1	mm	2850		2850		2850	
Overall height mast extended	h4	mm	4880		4880		4880	
Cabine height	H	mm	2630		2630		2630	
Lift height	h3	mm	4000		4000		4000	
Free lift	h2	mm	600		600		600	
Tilting up/down		°	1200+4.5-3.5/1400+3.5-3.0				1200±3.45/1400±2.83	
Platform height	P	mm	830		830		850	
Platform width	N	mm	1200/1400		1200/1400		1200/1400	
Lateral movement	F	mm	1300/1500		1300/1500		1300/1500	
Load spacing max.	x	mm	100		100		100	
Framework cut	E	mm	1370		1370		1370	
Fork spacing max.	d	mm	1300		1300		1300	
Turning radius inner	R	mm	386		386		365	
Turning radius outer	W	mm	1200=3892/1400=4016				1200=4156/1400=4272	
Aisle width	A	mm	1200=2301/1400=2498				1200=2312/1400=2500	
Aisle width for 90° Turning	G	mm	1200=3790/1400=3913				1200=4069/1400=4185	
Performance								
Travel with/without load		Km/h	15/18		15/18		15/18	
Lifting with/without load		m/s	0.34/0.45		0.34/0.45		0.32/0.43	
Lowering with/without load		m/s	0.39/0.35		0.39/0.35		0.38/0.34	
Traverse with/without load		m/s	0.28		0.28		0.25	
Tractive power		kN	17		17		22	
Gradeability		%	15		14		15	
Weights								
Weight of truck		Kg	6500		7500		8500	
Axle load front		Kg	4600		5500		6500	
Axle load rear		Kg	4950		6000		7050	
Chassis								
Tyres front/rear			2/2		2/2		2/2	
Tyres size front/rear		Inch	27 x 10-12		27 x 10-12		250-15	
Tyres outside diameter		mm	690		690		735	
Wheel base	Y	mm	2520		2520		2540	
Track front	Sp1	mm	1200=1615/1400=1815				1200=1625/1400=1825	
Track rear	Sp2	mm	1200=1635/1400=1835				1200=1645/1400=1845	
Ground clearance	below rear axle	mm	120		120		120	
	below mast	mm	200		200		200	
Service brake	hydraulic		Front					
Parking brake	hydraulic		Drive Wheels					
Drive								
Battery type	EPZS	80V	4EPzS	5EPzS	5EPzS	7EPzS	6EPzS	7EPzS
Battery capacity		A	460	575	690	805	690	840
Drive motor	Number		2 x 7.5 kW		2 x 7.5 kW		2 x 10 kW	
Gearchanging	Switch	Hand	Hand		Hand		Hand	
Gear levels	Fw/Rv		Direct					
Controller	Mosfet	Inverter	AC		AC		AC	
Lift motor			17 kW		17 kW		22 kW S2 30min	

BAUMANN EHX 30 - 50

No emission, very low noise, an environmentfriendly alternative.
Performance as a dieseltruck at less service costs.

EHX 30 - 50	Lift height h3 mm	Lowered h1 mm	Extended h4 mm	Free lift h2 mm
Duplex-standardmast ST	3300	2500	4180	600
	4000	2850	4880	600
	4500	3100	5380	600
	5000	3350	5880	600
	5500	3600	6380	600
	6000	3850	6880	600
Duplex-special free lift mast SFH	3300	2500	4180	1620
	4000	2850	4880	1970
	4500	3100	5380	2220
	5000	3350	5880	2470
	5500	3600	6380	2720
	6000	3850	6880	2970
Triplex-free lift mast TR	4500	2350	5380	1470
	5100	2550	5980	1670
	5400	2650	6280	1770
	5700	2750	6580	1870
	6000	2850	6880	1970
	6300	2950	7180	2070
	6600	3050	7480	2170
	6900	3150	7780	2270
	7200	3250	8080	2370



BAUMANN SIDELOADERS – THE ORIGINAL SIDELOADER FROM CAVAION

For over 40 years, the BAUMANN name has been synonymous with production of high quality, high specification sideloaders. The Company adopts a policy of continuous improvement and embraces new technology as and when it comes available to the benefit of our customers and distribution partners. The extended BAUMANN network



of distributors and service partners have been specifically selected for their professionalism and adoption of the consultative approach taken centrally by the BAUMANN Company.



CAVAION SIDELOADERS
BAUMANN 