

C-SERIES C5000XL

The multi-directional forklift designed for the safe, space saving and productive handling of long and bulky loads.

COMBiLiFT

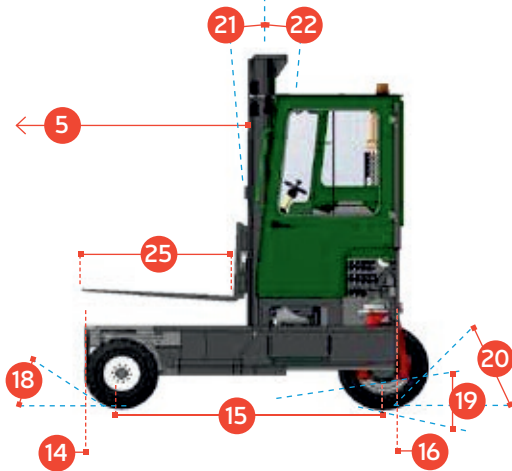
LIFTING INNOVATION



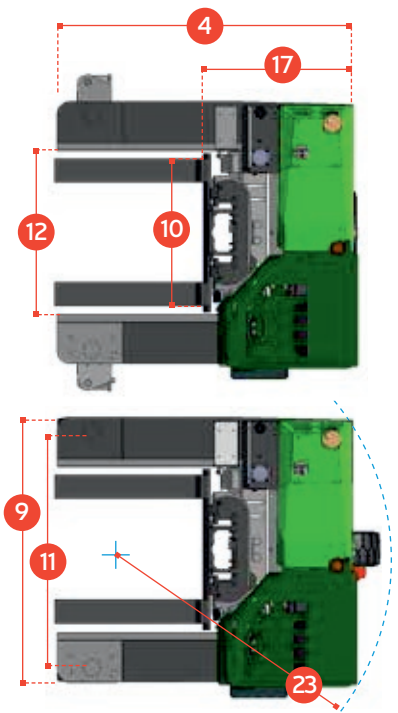
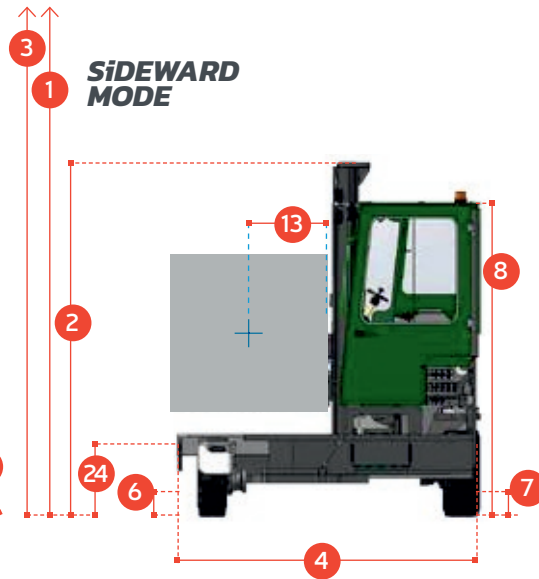
ncnielsen

C-SERIES C5000XL

FRONTAL MODE



SIWARD MODE



REF.	DESCRIPTION	STANDARD
1a	Standard Lift Height	4040 mm
1b	Free Lift Height	0mm
2	Height Mast Closed	2990mm
3	Max. (Mast Raised)	5005mm
4	Overall Length	2500mm
5	Mast Travel	1340mm
6	Ground Clearance Under Mast	280mm
7	Ground Clearance to Wheelbase Centre	270mm
8	Height Over Cab or of Overhead Guard	2590mm
9	Width	2235mm
10	Outside Spread of Fork Arms	1350mm
11	Track Front	1995mm
12	Frame Opening	1400mm
13	Load Centre Distance	600mm
14	Overhang Front	290mm
15	Wheel Base	2070mm
16	Overhang Back	140mm
17	Length from Face of Fork	1300mm
18	Approach Angle	45°
19	Ramp Angle	29°
20	Departure Angle	45°
21	Forward Tilt	3°
22	Backward Tilt	5°
23	Minimum Outside Radius	2490mm
24	Platform Height	680mm
25	Platform Length	1200mm

Multi-Directional



Features Include:

- Rubber Mounted Half Open Cabin
- Multi-Direction Operation
- 3 Wheel Hydrostatic Drive
- Load Sensing Steering
- 4 Way Lever Positioning of Wheels
- Hydraulic Oil Cooler

A	Capacity	5000kg
B	Unladen Weight	7200kg
C	Maximum Ground Speed	15km/h
D	Gradeability	15%
E	Kubota V2403 T Diesel / 3 ltr GM LPG	44kW/ 48kW
F	Electrics	12 Volt
G	Fork Section	50 x 150 x 1200mm
H	23 x 10 - 12 Front Tyre	OD 580mm / Width 240mm
I	28 x 12.5 - 15 Rear Tyre	OD 720mm / Width 295mm
J	Standard Colour	Green and Grey
K	Suspension Seat	KAB Model 116

European Patent No. 2167416; Brazilian Patent No. P10811954-6; Australian Patent No. 2008253242

ncnielsen

Nørregade 66

7860 Balling

Telefon 99 83 83 83

www.nc-nielsen.dk • info@nc-nielsen.dk

COMBLIFT HAS A POLICY OF CONTINUOUS PRODUCT DEVELOPMENT AND RESERVES THE RIGHT TO ALTER SPECIFICATIONS WITHOUT PRIOR NOTICE. SPECIFICATIONS AND/OR DIMENSIONS MAY VARY FROM THOSE ILLUSTRATED IN SOME COUNTRIES.

nc-nielsen.dk