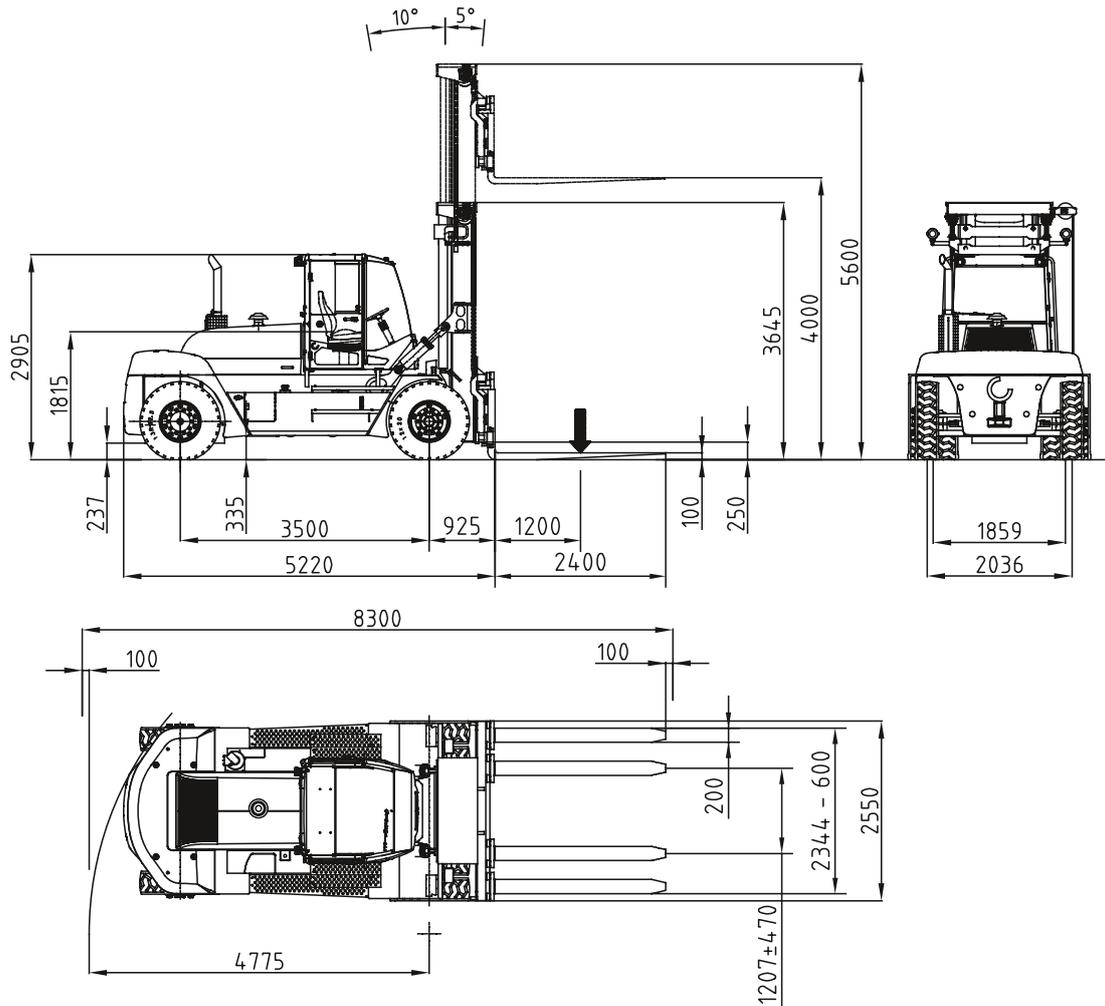


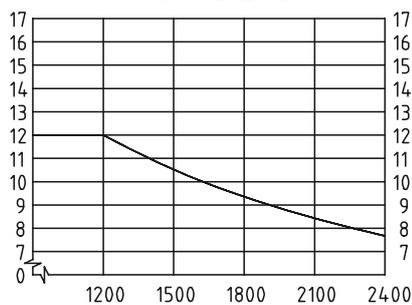
## TECHNICAL DATA : SMV 12-1200C

| Machine type  |           | SMV 12-1200C   |
|---|-----------|--|
| <b>LOAD HANDLING DATA</b>                                     |           |  |
| Lifting capacity / Load center                                | kg / mm   | 12 000 / 1200  |
| Maximum lifting speed, unloaded / at 70% of rated load        | m/s       | 0,36 / 0,35  |
| Maximum lowering speed, unloaded / at rated load              | m/s       | 0,40 / 0,42  |
| <b>DRIVING DATA</b>   |           |  |
| Drive speed forward, unloaded / at rated load                 | km/h      | 30 / 30  |
| Drive speed reverse, unloaded / at rated load                 | km/h      | 30 / 30  |
| Incline (driving ability) at rated load at 0 km/h / at 2 km/h | %         | 58 / 43  |
| Towing (power ability) at rated load at 0 km/h / at 2 km/h    | kN        | 161 / 128  |
| <b>SERVICE WEIGHT / AXLE LOADS</b>                            |           |  |
| Service weight  | kg        | 19 500   |
| Axle load front, unloaded / at rated load                     | kg        | 10 000 / 29 300  |
| Axle load rear, unloaded / at rated load                      | kg        | 9 500 / 2 200  |
| <b>ENGINE</b>   |           |  |
| Engine make, model name                                       |           | Volvo TAD881-VE  |
| Emission approval EU / US                                     |           | Stage V  |
| Monitoring / emission controlled / CanBus                     |           | Yes / yes / yes  |
| Fuel / type of engine   |           | Diesel / 4-stroke CI                                   |
| Rated power ISO 3046 / max speed                              | kW / rpm  | 185 / 2 200  |
| Rated torque ISO 3046 / at speed                              | Nm / rpm  | 1 175 / 1 400  |
| Displacement / No. of cylinders / configuration               | L / /     | 7,7 / 6 / Inline                                       |
| Fuel consumption, normal operations                           | L/h       | 6-8  |
| Alternator, type / power / amperage                           | W / Amp   | AC / 3 080 / 110                                       |
| Starting battery, voltage / capacity                          | V / Ah    | 2 x 12 / 140   |
| <b>TRANSMISSION</b>   |           |  |
| Transmission make, model name                                 |           | ZF 191WG   |
| Monitoring / reverse protection / CanBus                      |           | Yes / yes / yes  |
| Clutch, type  |           | Torque converter                                       |
| Transmission type / type of shift gear                        |           | Softshift – Powershift / Automatic                     |
| No. of gears, forward/reverse                                 |           | 3/3  |
| <b>DRIVE AXLE &amp; STEER SYSTEM</b>                          |           |  |
| Drive axle make, model name                                   |           | Kessler D81  |
| Drive axle type   |           | Differential + hub reduction                           |
| Service brake, type / affected wheels                         |           | Oil cooled Wet Disc Brakes / drive wheels              |
| Parking brake, type / affected wheels                         |           | Dry disc brake / spring applied / drive wheels         |
| <b>STEER AXLE &amp; STEER SYSTEM</b>                          |           |  |
| Steer axle make / type  |           | Konecranes / double acting single cylinder             |
| Steering system   |           | Hydraulic servo assisted / power steering              |
| <b>WHEELS</b>   |           |  |
| Number of wheels, front+rear / Type (*driven)                 |           | 4*+2 / pneumatic                                       |
| Tire pressure front / rear                                    | MPa       | 1,0 / 1,0  |
| Tire dimensions (Ply rating) front / rear                     | Inch (No) | 12.00 x 20" (PR 20) / 12.00 x 20" (PR 20)              |
| Rim dimension front / rear                                    | Inch      | 8.00 x 20" / 8.00 x 20"                                |
| <b>HYDRAULIC SYSTEM</b>                                       |           |  |
| Hydraulic pump make, model name                               |           | Parker P2-series                                       |
| Hydraulic system / pump type                                  |           | Load sensing system / variable axial piston pump       |
| Power-on-demand / Low energy                                  |           | Yes / yes  |
| Hydraulic oil pressure mast                                   | MPa       | 20,0   |
| <b>TANK VOLUMES</b>   |           |  |
| Fuel tank volume  | L         | 196  |
| Hydraulic tank volume   | L         | 184  |
| <b>LIFTING EQUIPMENT</b>                                      |           |  |
| Lift mast model / mast type / design                          |           | Konecranes duplex standard / 2-stage / free visibility |
| Carriage make / model   |           | Konecranes / Hydraulic integral roller type            |
| Fork make / Model   |           | Konecranes / Roller type                               |
| <b>OTHERS</b>   |           |  |
| Noise level (inside Cab / Lm) DIN 45635                       | dB(A)     | 67   |
| Noise level (inside Cab/ LpAZ) EN 12053 (EU + EFTA only)      | dB(A)     | 73   |
| Maximum noise level (outside Lwa) 2000/14/EC (EU + EFTA only) | LWA       | 107  |
| <b>NORMS &amp; STANDARDS</b>                                  |           |  |
| Stability of Industrial Trucks ISO 22915-2                    |           | Yes  |
| Safety of Industrial Trucks EN ISO 3691-1                     |           | Yes  |

# TECHNICAL DATA : SMV 12-1200C



SMV 12-1200C



191018/1