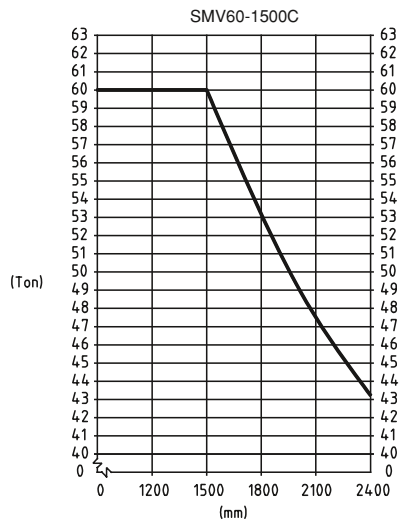
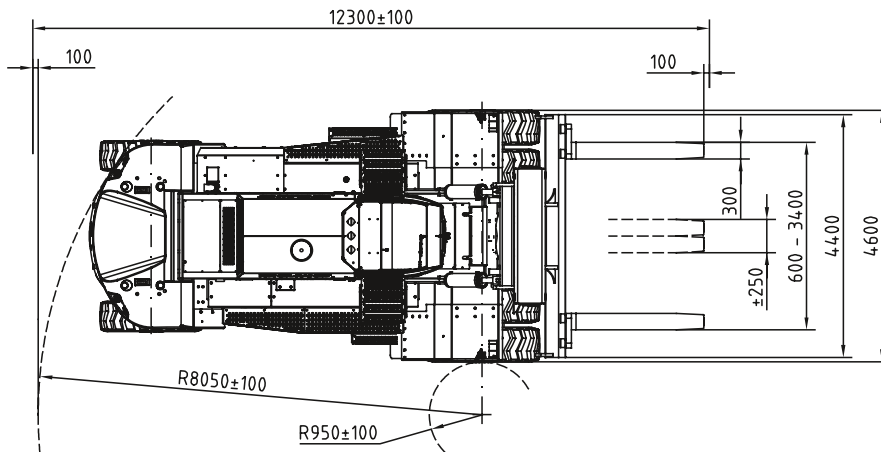
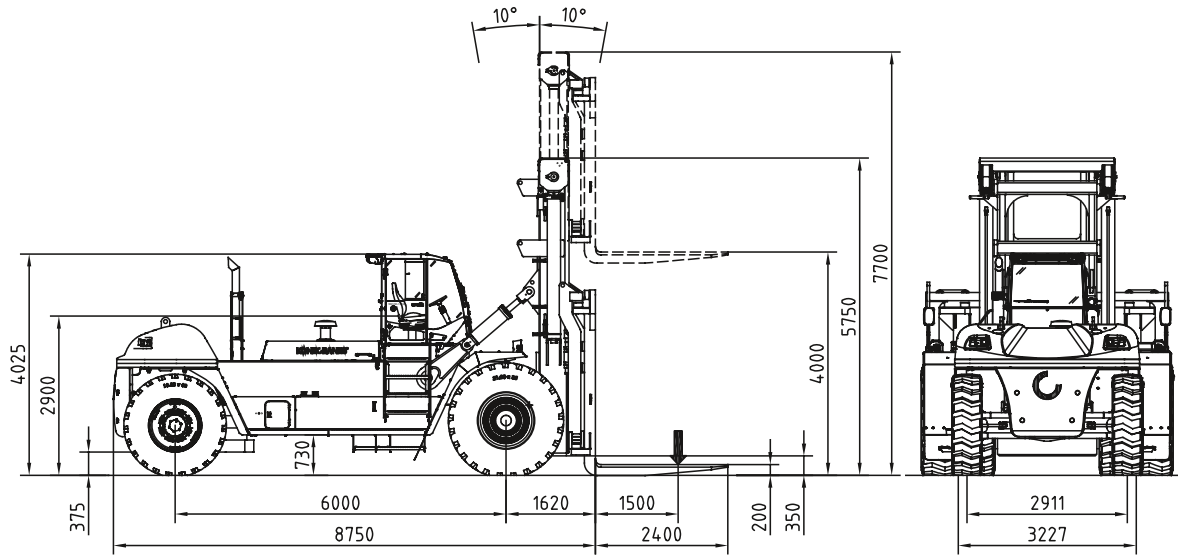


## TECHNICAL DATA : SMV 60-1500C

Machine type		SMV 60-1500C
<b>LOAD HANDLING DATA</b>		
Lifting capacity / Load center	kg / mm	60 000 / 1500
Maximum lifting speed, unloaded / at 70% of rated load	m/s	0,22 / 0,20
Maximum lowering speed, unloaded / at rated load	m/s	0,22 / 0,26
<b>DRIVING DATA</b>		
Drive speed forward, unloaded / at rated load	km/h	28 / 18
Drive speed reverse, unloaded / at rated load	km/h	21 / 18
Incline (driving ability) at rated load at 0 km/h / at 2 km/h	%	20 / 14
Towing (power ability) at rated load at 0 km/h / at 2 km/h	kN	311 / 231
<b>SERVICE WEIGHT / AXLE LOADS</b>		
Service weight	kg	89 600
Axle load front, unloaded / at rated load	kg	48 300 / 139 600
Axle load rear, unloaded / at rated load	kg	41 300 / 10 000
<b>ENGINE</b>		
Engine make, model name		Volvo TAD1181-VE
Emission approval EU / US		Stage V
Monitoring / emission controlled / CanBus		Yes / yes / yes
Fuel / type of engine		Diesel / 4-stroke CI
Rated power ISO 3046 / max speed	kW / rpm	265 / 2 100
Rated torque ISO 3046 / at speed	Nm / rpm	1 795 / 1 400
Displacement / No. of cylinders / configuration	L / /	10,8 / 6 / Inline
Fuel consumption, normal operations	L/h	15-18
Alternator, type / power / amperage	W / Amp	AC / 3 080 / 110
Starting battery, voltage / capacity	V / Ah	2 x 12 / 140
<b>TRANSMISSION</b>		
Transmission make, model name		DANA TE-30
Monitoring / reverse protection / CanBus		Yes / yes / yes
Clutch, type		Torque converter
Transmission type / type of shift gear		Softshift – Powershift / Automatic
No. of gears, forward/reverse		5/3
<b>DRIVE AXLE &amp; STEER SYSTEM</b>		
Drive axle make, model name		Kessler D111
Drive axle type		Differential + hub reduction
Service brake, type / affected wheels		Oil cooled Wet Disc Brakes / drive wheels
Parking brake, type / affected wheels		Dry disc brake / spring applied / drive wheels
<b>STEER AXLE &amp; STEER SYSTEM</b>		
Steer axle make / type		Konecranes / double acting single cylinder
Steering system		Hydraulic servo assisted / power steering
<b>WHEELS</b>		
Number of wheels, front+rear / Type (*driven)		4*+2 / pneumatic
Tire pressure front / rear	MPa	1,0 / 1,0
Tire dimensions (Ply rating) front / rear	Inch (No)	21.00 x 35" (PR 40) / 18.00 x 33" (PR 40)
Rim dimension front / rear	Inch	15.00 x 35" / 13.00 x 33"
<b>HYDRAULIC SYSTEM</b>		
Hydraulic pump make, model name		Parker P2-series
Hydraulic system / pump type		Load sensing system / variable axial piston pump
Power-on-demand / Low energy		Yes / yes
Hydraulic oil pressure mast	MPa	22
<b>TANK VOLUMES</b>		
Fuel tank volume	L	550
Hydraulic tank volume	L	630
<b>LIFTING EQUIPMENT</b>		
Lift mast model / mast type / design		Konecranes duplex standard / 2-stage / free visibility
Carriage make / model		Konecranes / Hydraulic integral roller type
Fork make / model		Konecranes / roller type
<b>OTHERS</b>		
Noise level (inside Cab / Lm) DIN 45635	dB(A)	68
Noise level (inside Cab/ LpAZ) EN 12053 (EU + EFTA only)	dB(A)	73
Maximum noise level (outside Lwa) 2000/14/EC (EU + EFTA only)	LWA	109
<b>NORMS &amp; STANDARDS</b>		
Stability of Industrial Trucks ISO 22915-2		Yes
Safety of Industrial Trucks EN ISO 3691-1		Yes

# TECHNICAL DATA : SMV 60-1500C



191027/ 1