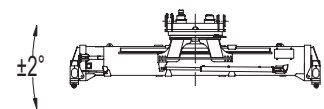
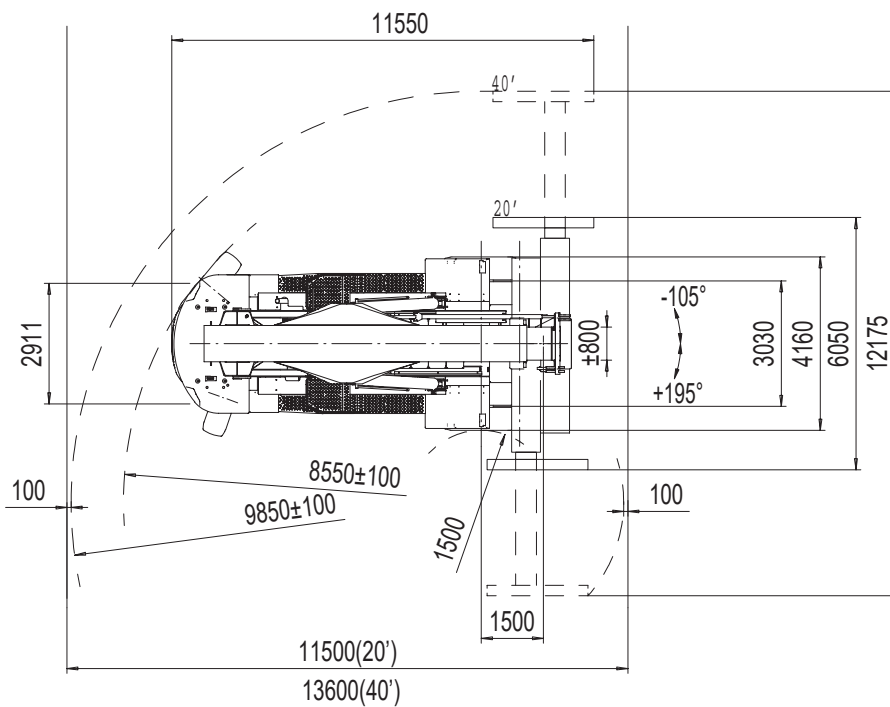
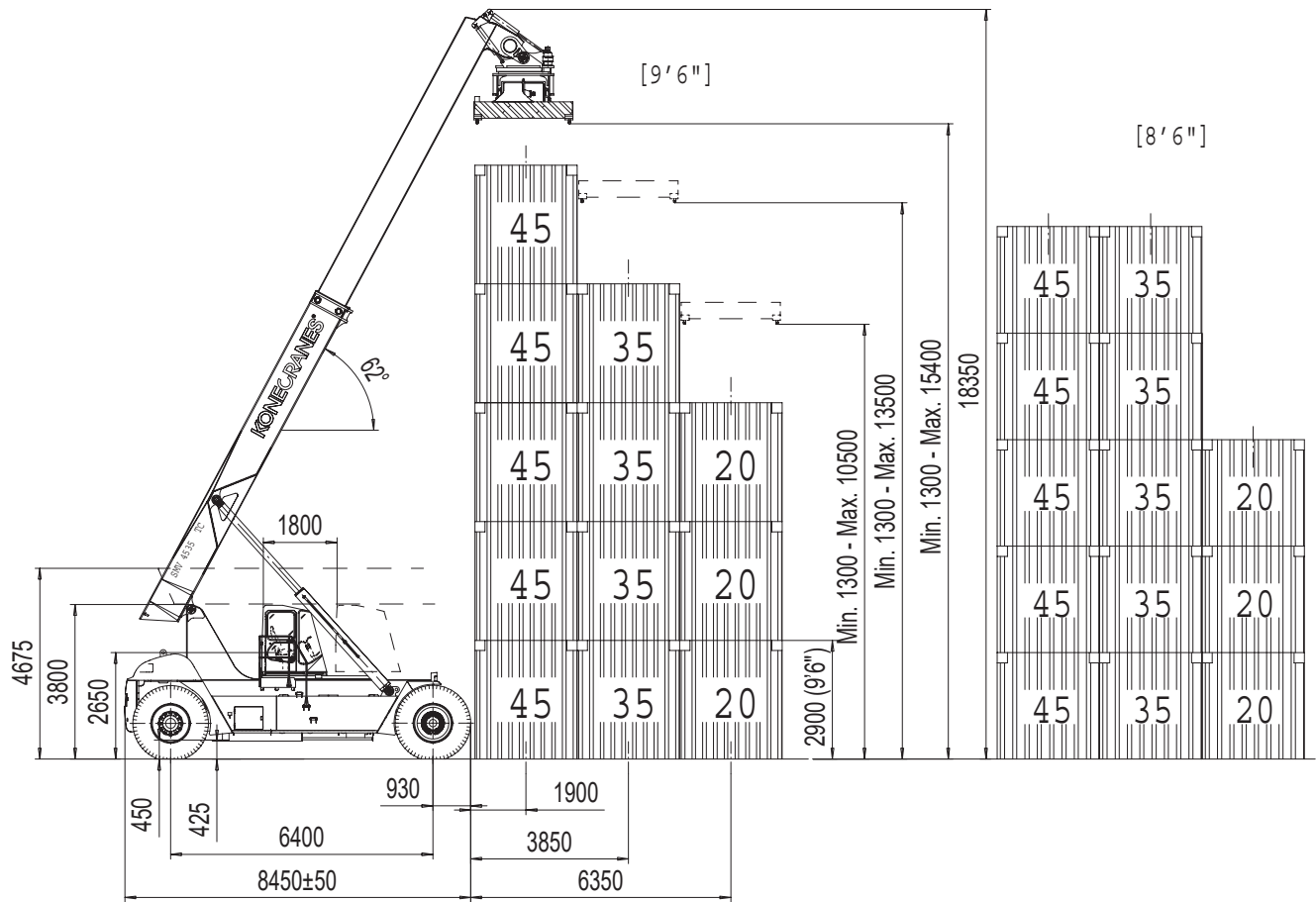


LIFTING DATA Lift capacities (at load center LC1 / LC2 / LC3) Lift capacities (at load center LC1 / LC2 / LC3 at max lifting height) Load centers (LC1 / LC2 / LC3) Lifting speed, unloaded / at 40 % load / at rated load Lowering speed, unloaded / at rated load	kg kg mm m/s m/s	45 000 / 35 000 / 20 000 45 000 / 35 000 / 20 000 2 000 / 3 850 / 6 350 0,38 / 0,35 / 0,23 0,35 / 0,4
DRIVING DATA Drive speed forward, unloaded / at rated load Drive speed reverse, unloaded / at rated load Incline (driving ability) at rated load at 0 km/h/at 2 km/h Towing (power ability) at rated load at 0 km/h/at 2 km/h	km/h km/h % kN	24 / 22 24 / 22 20 / 12 120 / 120
SERVICE WEIGHT / AXLE PRESSURE Service weight Axle pressure front at load center LC1, unloaded / at rated load Axle pressure front at load center LC2, unloaded / at rated load Axle pressure rear at load center LC1, unloaded / at rated load Axle pressure rear at load center LC2, unloaded / at rated load Axle pressure in driving position, front/rear (at rated load)	kg kg kg kg kg kg	79 700 38 700 / 103 400 43 400 / 104 400 41 000 / 21 300 36 300 / 10 300 94 300 / 30 400
DIESEL ENGINE POWERED GENSET (CAN bus controlled) Engine make / model name Emission approval EU / US Monitoring / emission controlled / CanBus Fuel / type of engine / intercooler Power ISO 3046 / max speed Torque ISO 3046 / at speed Displacement / No. of cylinders / type Fuel consumption, normal driving Generator, type/power / voltage Starting battery, voltage/capacity	kW / rpm Nm / rpm L L/h / kW / V V / Ah	Volvo TAD 873 VE Stage 4 / Tier 4f Yes / yes / yes Diesel / 4-stroke / yes 235 / 2 200 1 300 / 1 310 7,7 / 6 / Inline 9 – 12 Permanent magnet, direct drive, oil cooled / 250 / 700 2 x 12 / 140
ENERGY STORAGE (CAN bus controlled) Type Functional principle Energy storage capacity / Power capacity Cooling	kWh / kW	Super capacitor, 6x125 V modules Produced energy from Genset, and recovered from Braking or Lowering is utilized by any machine function as required 1,0 / 300 Forced air (inherent cooling fans)
DRIVE AXLE & BRAKE SYSTEM Electric drive motor make / type Drive motor power / tractive effort Drive axle make / model name Driving brake system, type / affected wheels Parking brake system, type / affected wheels	kW / kN	BAE Systems E-axle / asynchronous AC motor, oil cooled 200 / 109 Kessler / R102 Wet disc brake / spring release / drive wheels Wet disc brake / spring release / drive wheels
STEER AXLE & STEER SYSTEM Steer axle type / steering system		Double acting cylinder / hydraulic servo assisted
WHEELS Number of wheels, front + rear / type (*driven) Tire pressure front / rear Tire dimensions (Ply rating) front / rear Rim dimension front / rear	MPa Inch (No) Inch	4*+2 / pneumatic 1,0 / 1,0 18.00 x 33" (PR 36) / 18.00 x 33" (PR 40) 13.00 x 33" / 13.00 x 33"
HYDRAULIC SYSTEM (CAN bus controlled) Hydraulic pump make / model name Hydraulic system / pump types Power-on-demand / Low energy / Separate oil tanks Hydraulic oil pressure boom / spreader	MPa / MPa	Parker Hannifin / E-Pump Load sensing re-generative system / piston pump/hydraulic motor – direct drive by electric motor/generator (x2 – boom lifting / boom extension) Load sensing re-generative system / piston pump – direct drive by electric motor (x2 – boom boost / steering-spreader-hyd. brakes) Yes / yes / hydraulics & brakes 24 / 15
TANK VOLUMES Diesel tank volume Hydraulic tank volume	L L	650 850
LIFT EQUIPMENT & SPREADER Spreader make / type Spreader functions Spreader locking containers / lifting eyes Sideshift stroke / rotation / pile slope type (pile slope stroke)	mm / deg /	ELME 817-MPS / Toplift (container) 20-40 ft containers 4 x top twist locks / 4 x in corners ± 800 / +195 : -105 / Manual MPS / (± 2,0)
OTHERS Safety, Monitoring & overload system / programmable / colour Manual sliding cabin / stroke Noise level (inside Cab / Lm) DIN 45635 Noise level (inside Cab/ LpAZ) EN 12053 Noise level (outside at 7 m/ Lwa) 2000/14/EC	/ mm dB(A) dB(A) dB(A)	Electronic system EMC / yes / yes Yes / 1 800 68 75 111
NORMS & STANDARDS (including sub-ordinate ones) Machine Directive in Europe EMC directive Low voltage directive Safety of Industrial trucks – reach stackers Safety of industrial trucks Stability of Industrial Trucks Industrial trucks – electromagnetic compatibility Ind. trucks – safety req. for traction batteries Safety related parts of control system	2006:42-EC 2004:108:EC 2006:95:EC EN 1459:1998 EN 1175-1, -2, -3 ISO 13562 EN 12895 EN 50272-3 ISO 13849	Yes, CE marked for compliance Yes, CE marked for compliance Yes, CE marked for compliance Yes Yes Yes Yes Yes Yes



ncnielsen

7860 Balling · tlf: 99 83 83 83 · fax: 97 56 46 24
 e-mail: linde@nc-nielsen.dk · www.nc-nielsen.dk