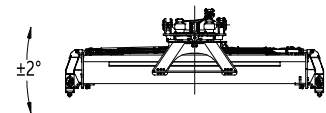
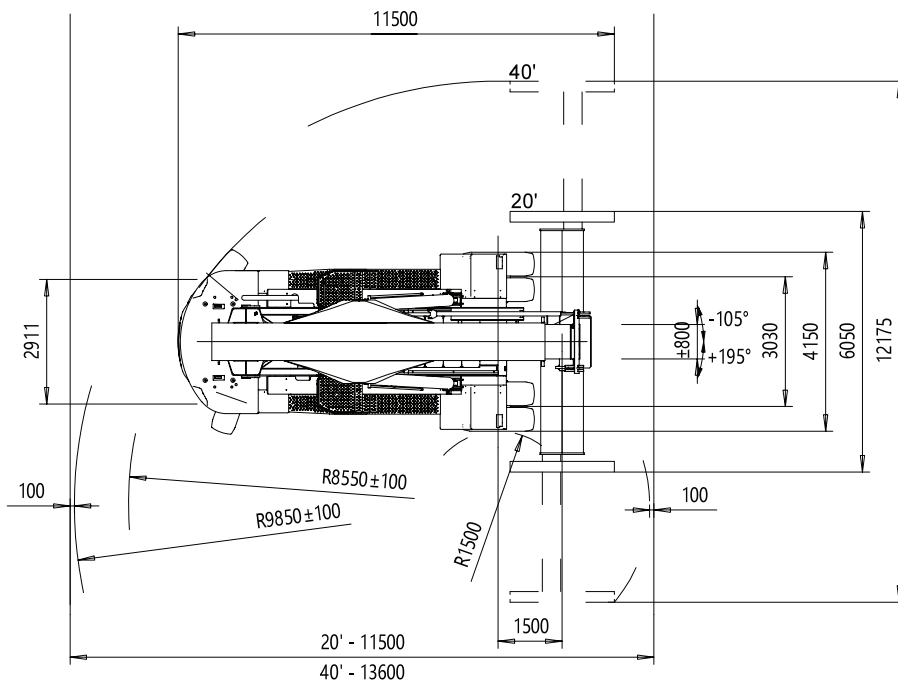
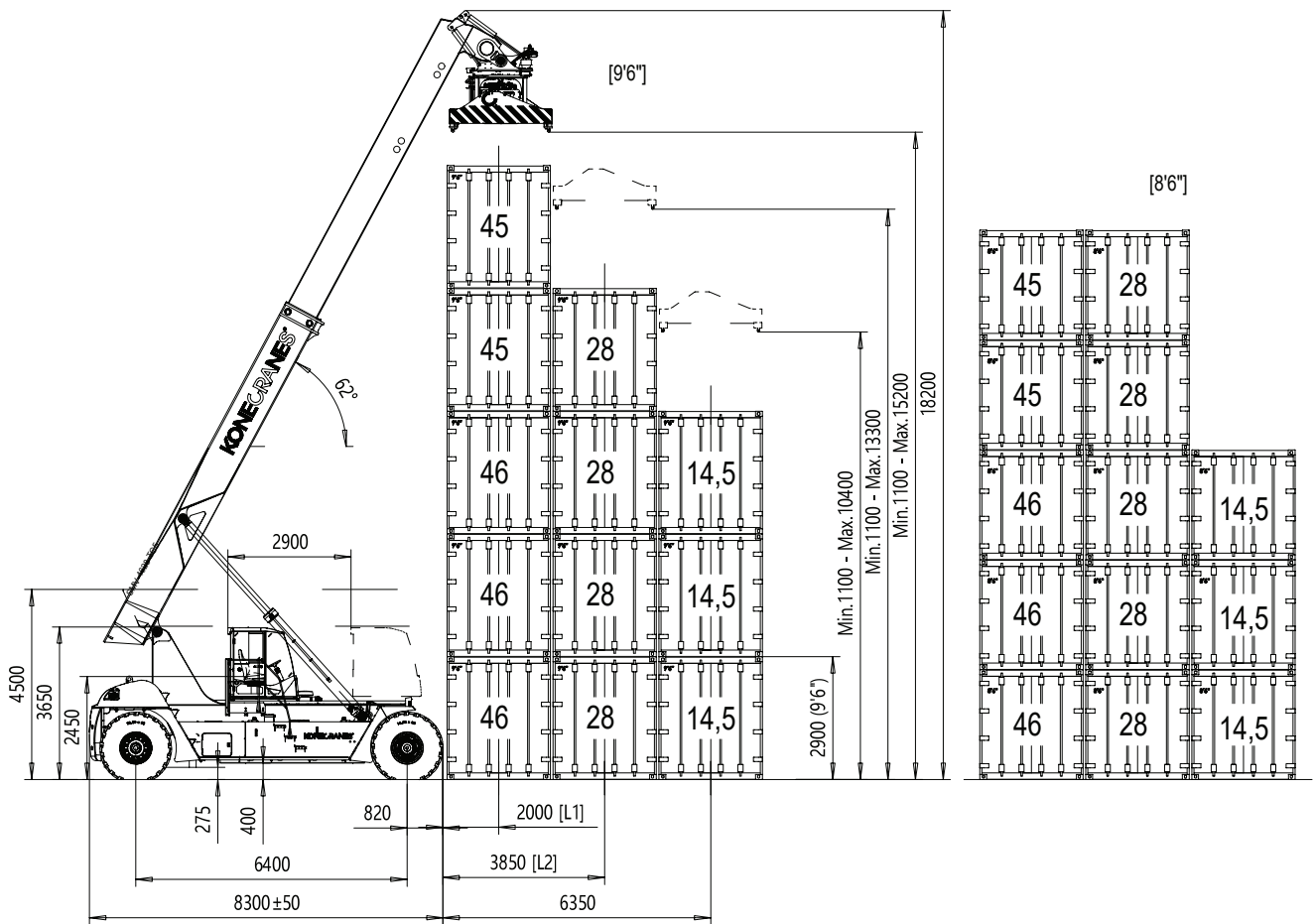


REACH STACKER SMV 4628 TC5

| LIFTING DATA | | | |
|--|---|--|-----------------------------------|
| Lift capacities (at load center LC1 / LC2 / LC3) | 46000 kg / 28000 kg / 14500 kg | | |
| Lift capacities (at load center LC1 / LC2 / LC3 at max lifting height) | 45000 kg / 28000 kg / 14500 kg | | |
| Load centers (LC1 / LC2 / LC3) | 2000 mm / 3850 mm / 6350 mm | | |
| Lifting speed, unloaded / at 40 % load / at 70% rated load | 0.38 m/s / 0.35 m/s / 0.23m/s | | |
| Lowering speed, unloaded / at rated load | 0.35 m/s / 0.40 m/s | | |
| DRIVING DATA | | | |
| Drive speed forward, unloaded / at rated load | 24 km/h / 21 km/h | | |
| Drive speed reverse, unloaded / at rated load | 18 km/h / 17 km/h | | |
| Incline (driving ability) at rated load at 0 km/h / 2 km/h | 34 % / 21 % | | |
| Towing (power ability) at rated load at 0 km/h / 2 km/h | 397 kN/ 266 kN | | |
| SERVICE WEIGHT / AXLE PRESSURE | | | |
| Service weight | 67100 kg | | |
| Axle pressure front at load center LC1, unloaded / at rated load | 35500 kg / 101700 kg | | |
| Axle pressure front at load center LC2, unloaded / at rated load | 39600 kg / 88000 kg | | |
| Axle pressure rear at load center LC1, unloaded / at rated load | 31600 kg / 11400 kg | | |
| Axle pressure rear at load center LC2, unloaded / at rated load | 27500 kg / 7100 kg | | |
| Axle pressure in driving position, front/rear (at rated load) | 89900 kg / 23200 kg | | |
| ENGINE (ELECTRONIC CONTROLLED) | | | |
| Engine make / model name | Volvo TAD-1181-VE | Torque ISO 3046 / at speed | 1785 Nm / 1400 rpm |
| Emission approval EU / US | EU 5 | Displacement / No. of cyl. / type | 11 l / 6 / Inline |
| Monitoring / EC / CanBus | Yes / Yes / Yes | Fuel consumption, normal usage | 15 - 18 l/h |
| Fuel / type of engine / intercooler | Diesel / 4-stroke / Yes | Alternator, type/power / capacity | AC / 3080 W / 110 A |
| Power ISO 3046 / max speed | 265 kW / 2100 rpm | Start battery, voltage/capacity | 2 x 12 V / 140 Ah |
| TRANSMISSION (ELECTRONIC CONTROLLED) | | | |
| Transmission make / model / amount of gears (forward /reverse) | Dana TE-30 / 5 + 3 gears | | |
| Monitoring / reverse protection / CanBus / Clutch, type | Yes / Yes / Yes / Torque converter | | |
| Transmission type / type of shift gear | Softshift – Powershift / Automatic | | |
| STEERING AXLE & STEERSYSTEM & DRIVE AXLE & BRAKE SYSTEM | | | |
| Steer axle type / steering system | Double acting cylinder / hydraulic servo assisted | | |
| Drive axle make / model name | Kessler D102 | | |
| Drive axle type / drive axle width | Differential + hub reduction / 4160 mm | | |
| Driving brake system, type / affected wheels | Oil cooled Wet Disc Brakes / drive wheels | | |
| Parking brake system, type / affected wheels | Dry disc brake / spring release / drive wheels | | |
| WHEELS | | | |
| Number of wheels, front + rear / type (*driven) | 4*+2 / pneumatic | | |
| Tire pressure front / rear | 1.00 MPa / 1.00 MPa | | |
| Tire dimensions (Ply rating) front / rear | 18.00 x 25" (PR 40) / 18.00 x 25" (PR 40) | | |
| Rim dimension front / rear | 13.00 x 25" / 13.00 x 25" | | |
| HYDRAULIC SYSTEM | | | |
| Hydraulic pump make / model name | Parker & Hannifin / P2-series | | |
| Hydraulic system / pump type | Load sensing system / variable piston pump | | |
| Power-on-demand / Low energy / Separate oil tanks | Yes / Yes / Yes (hydraulics & brakes) | | |
| Hydraulic oil pressure mast / spreader | 24 MPa / 15 MPa | | |
| TANK VOLUMES | | | |
| Diesel tank volume | 650 l | Hydraulic tank volume | 850 l |
| LIFTING EQUIPMENT & SPREADER | | | |
| Spreader make / type | ELME 817-MPS / Toplift (container) | | |
| Spreader functions | 20-40 ft containers | | |
| Spreader locking containers + trailer / lifting eyes | 4 x top twist locks / 4x in the corners | | |
| Sideshift stroke / rotation / pile slope type (pile slope stroke) | ±800 mm / +195 mm: -105 Manual MPS (± 2 deg) | | |
| NORMS & STANDARDS | | OTHERS | |
| Machine Directive in Europe | 2006/42/EC | Noise level (inside Cab/ LpAZ) | EN 12053 75 dB(A) |
| Stability of Industrial Trucks | ISO22915 series / EN15000 | Noise level (outside at 7 m/ Lwa) | 2000/14/EC 111 dB(A) |
| Safety of Industrial trucks | ISO 3691-2 | Safety, Monitoring & overload system / programmable / colour | Electronic system EMC / Yes / Yes |
| Noise level (inside Cab / Lm) | DIN 45635 68 dB(A) | Manual sliding cabin / stroke | Yes / (Stepless) |



191121/ 1