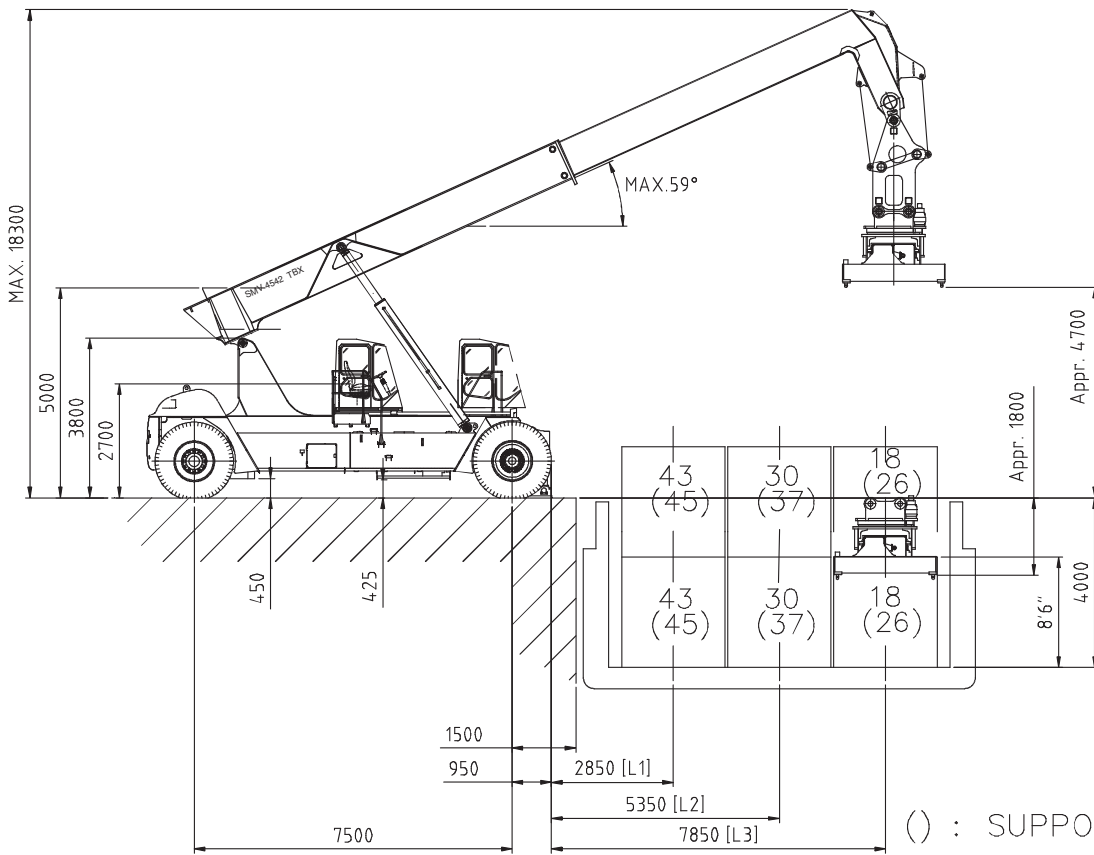
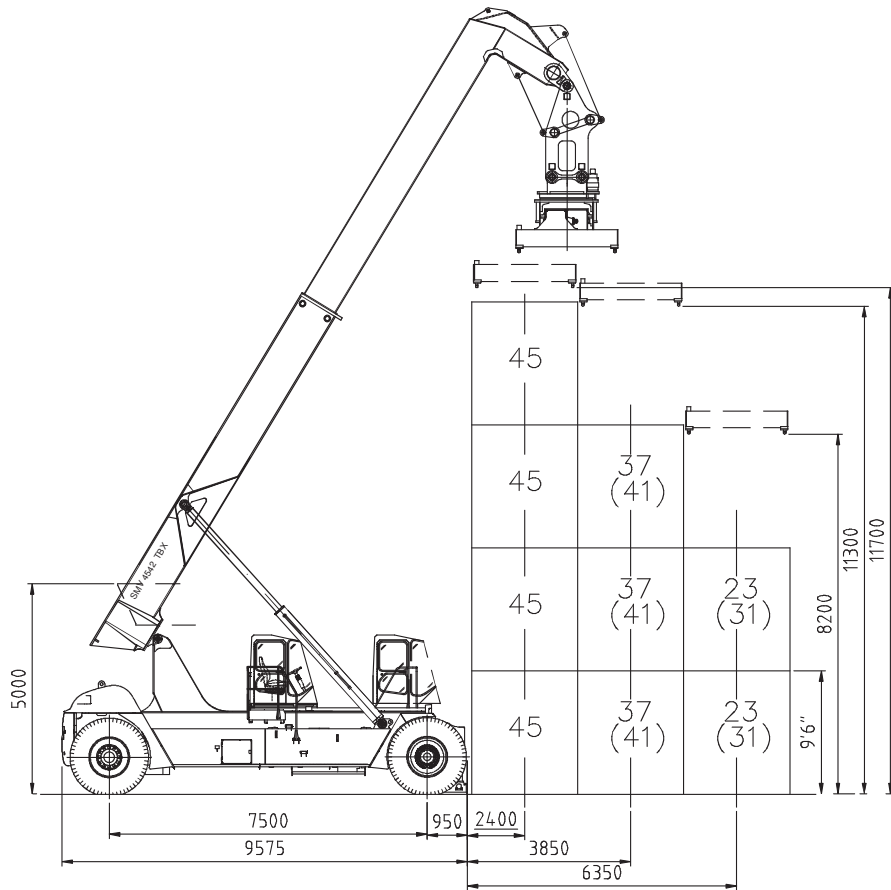


<b>LIFTING DATA</b> Lift capacities (at load center LC1 / LC2 / LC3) Lift capacities (at load center LC1 / LC2 / LC3 at max lifting height) Load centers (LC1 / LC2 / LC3) Lifting speed, unloaded / at 40 % load / at rated load Lowering speed, unloaded / at rated load	kg kg mm m/s m/s	45 000 / 37 000 / 23 000 45 000 / 37 000 / 23 000 2 400 / 3 850 / 6 350 0,38 / 0,35 / 0,23 0,35 / 0,4
<b>DRIVING DATA</b> Drive speed forward, unloaded / at rated load Drive speed reverse, unloaded / at rated load Incline (driving ability) at rated load at 0 km/h/at 2 km/h Towing (power ability) at rated load at 0 km/h/at 2 km/h	km/h km/h % kN	25 / 22 25 / 22 23 / 17 260 / 214
<b>SERVICE WEIGHT / AXLE PRESSURE</b> Service weight Axle pressure front at load center LC1, unloaded / at rated load Axle pressure front at load center LC2, unloaded / at rated load Axle pressure rear at load center LC1, unloaded / at rated load Axle pressure rear at load center LC2, unloaded / at rated load Axle pressure in driving position, front/rear (at rated load)	kg kg kg kg kg kg	88 500 48 500 / 113 300 54 700 / 109 900 40 000 / 18 200 33 800 / 8 600 27 600 / 6 400
<b>ENGINE (electronic controlled)</b> Engine make / model name Emission approval EU / US Monitoring / emission controlled / CanBus Fuel / type of engine / intercooler Power ISO 3046 / max speed Torque ISO 3046 / at speed Displacement / No. of cylinders / type Fuel consumption, normal driving Alternator, type/power / capacity Starting battery, voltage/capacity	kW / rpm Nm / rpm L L/h / W / Amp V / Ah	Volvo TAD-1171-VE Stage 4 / Tier 4f Yes / yes / yes Diesel / 4-stroke / yes 265 / 2 000 1 785 / 1 265 10,8 / 6 / Inline 15 – 18 AC / 3 080 / 110 2 x 12 / 140
<b>TRANSMISSION (electronic controlled)</b> Transmission make / model / amount of gears (forward /reverse) Monitoring / reverse protection / CanBus / Clutch, type Transmission type / type of shift gear		Dana TE-27400 / 4 + 4 gears Yes / yes / yes / Torque converter Softshift – Powershift / Automatic
<b>DRIVE AXLE &amp; BRAKE SYSTEM</b> Drive axle make / model name Drive axle type / drive axle width Driving brake system, type / affected wheels Parking brake system, type / affected wheels	/ mm	Kessler D106 Differential + hub reduction / 4 160 Oil cooled Wet Disc Brakes / drive wheels Dry disc brake / spring release / drive wheels
<b>STEER AXLE &amp; STEER SYSTEM</b> Steer axle type / steering system		Double acting cylinder / hydraulic servo assisted
<b>WHEELS</b> Number of wheels, front + rear / type (*driven) Tire pressure front / rear Tire dimensions (Ply rating) front / rear Rim dimension front / rear	MPa Inch (No) Inch	4*+2 / pneumatic 1,0 / 1,0 18.00 x 33" (PR 36) / 18.00 x 33" (PR 36) 13.00 x 33" / 13.00 x 33"
<b>HYDRAULIC SYSTEM</b> Hydraulic pump make / model name Hydraulic system / pump type Power-on-demand / Low energy / Separate oil tanks Hydraulic oil pressure mast / spreader	MPa / MPa	Parker & Hannifin / P2-series Load sensing system / variable piston pump Yes / yes / hydraulics & brakes 25 / 15
<b>TANK VOLUMES</b> Diesel tank volume Hydraulic tank volume	L L	650 850
<b>LIFT EQUIPMENT &amp; SPREADER</b> Spreader make / type Spreader functions Spreader locking containers / lifting eyes Sideshift stroke / rotation / pile slope type (pile slope stroke)	mm / deg /	ELME 817-MPS / Toplift (container) 20-40 ft containers 4 x top twist locks / 4 x in corners ± 800 / +195 : -105 / Manual MPS / (± 2,0)
<b>OTHERS</b> Safety, Monitoring & overload system / programmable / colour Manual sliding cabin / stroke Noise level (inside Cab / Lm) DIN 45635 Noise level (inside Cab/ LpAZ) EN 12053 Noise level (outside at 7 m/ Lwa) 2000/14/EC	/ mm dB(A) dB(A) dB(A)	Electronic system EMC / yes / yes Yes / 1 800 66 75 111
<b>NORMS &amp; STANDARDS</b> Machine Directive in Europe Stability of Industrial Trucks Safety of Industrial trucks	2006 / 42 / EC ISO 13562 EN 1459:1998	Yes Yes Yes



( ) : SUPPORT DOWN

070412/ 3

# ncnielsen

7860 Balling · tlf: 99 83 83 83 · fax: 97 56 46 24  
 e-mail: linde@nc-nielsen.dk · www.nc-nielsen.dk