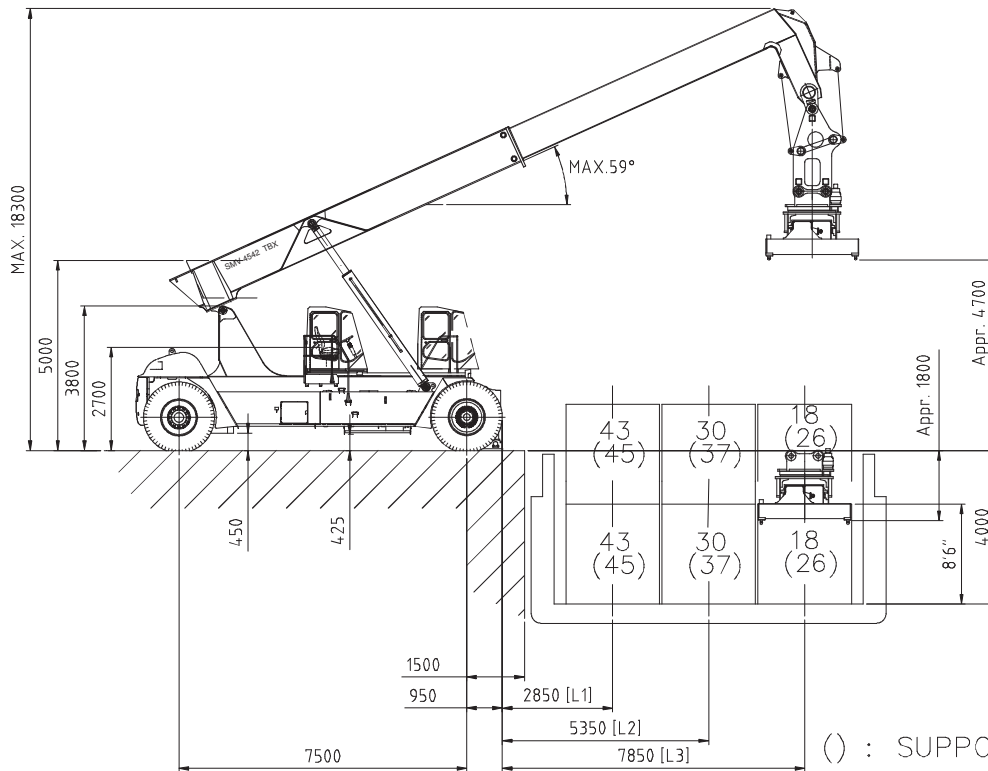
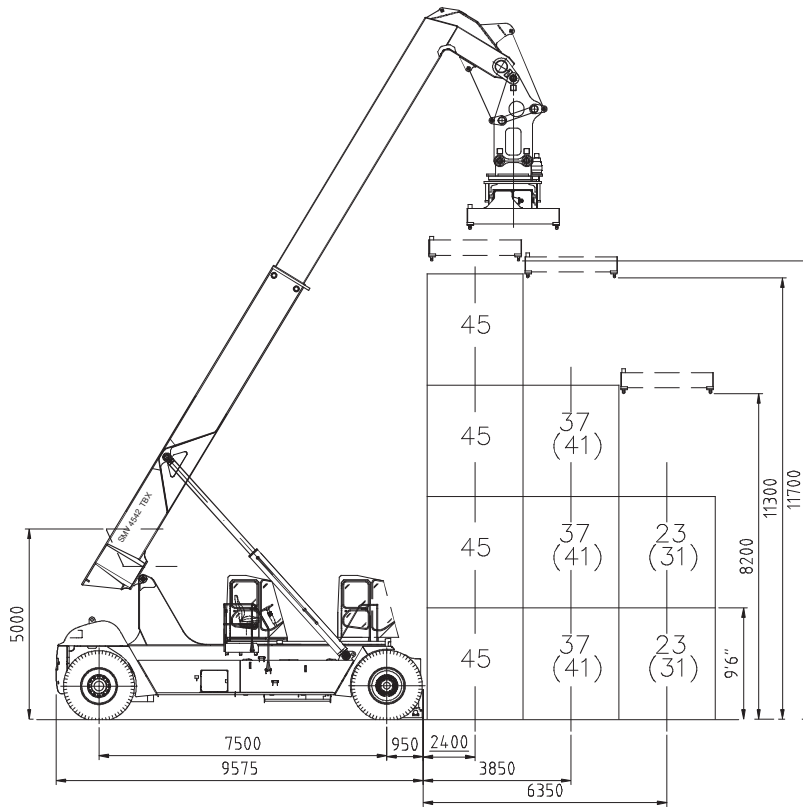


LIFTING DATA		
Lift capacities (at load center LC1 / LC2 / LC3)	kg	45 000 / 37 000 (41 000) / 23 000 (31 000)
Lift capacities (at load center LC1 / LC2 / LC3 at max lifting height)	kg	45 000 / 37 000 (41 000) / 23 000 (31 000)
Load centers (LC1 / LC2 / LC3)	mm	2 400 / 3 850 / 6 350
Lifting speed, unloaded / at 40 % load / at rated load	m/s	0,38 / 0,35 / 0,23
Lowering speed, unloaded / at rated load	m/s	0,35 / 0,4
DRIVING DATA		
Drive speed forward, unloaded / at rated load	km/h	25 / 22
Drive speed reverse, unloaded / at rated load	km/h	25 / 22
Incline (driving ability) at rated load at 0 km/h/at 2 km/h	%	23 / 17
Towing (power ability) at rated load at 0 km/h/at 2 km/h	kN	260 / 214
SERVICE WEIGHT / AXLE PRESSURE		
Service weight	kg	88 500
Axle pressure front at load center LC1, unloaded / at rated load	kg	48 500 / 113 300 (44 000 / 105 700)
Axle pressure front at load center LC2, unloaded / at rated load	kg	54 700 / 109 900 (49 600 / 111 500)
Axle pressure front at load center LC3, unloaded / at rated load	kg	60 900 / 100 100 (55 300 / 106 700)
Axle pressure rear at load center LC1, unloaded / at rated load	kg	40 000 / 18 200 (44 500 / 27 800)
Axle pressure rear at load center LC2, unloaded / at rated load	kg	33 800 / 8 600 (38 900 / 14 000)
Axle pressure rear at load center LC3, unloaded / at rated load	kg	27 600 / 6 400 (33 200 / 7 800)
Axle pressure in driving position, front/rear (at rated load)	kg	27 600 / 6 400 (33 200 / 7 800)
ENGINE (electronic controlled)		
Engine make / model name		Volvo TAD-1171-VE
Emission approval EU / US		Stage 4 / Tier 4f
Monitoring / emission controlled / CanBus		Yes / yes / yes
Fuel / type of engine / intercooler		Diesel / 4-stroke / yes
Power ISO 3046 / max speed	kW / rpm	265 / 2 000
Torque ISO 3046 / at speed	Nm / rpm	1 785 / 1 265
Displacement / No. of cylinders / type	L	10,8 / 6 / Inline
Fuel consumption, normal driving	L/h	15 – 18
Alternator, type/power / capacity	/ W / Amp	AC / 3 080 / 110
Starting battery, voltage/capacity	V / Ah	2 x 12 / 140
TRANSMISSION (electronic controlled)		
Transmission make / model / amount of gears (forward /reverse)		Dana TE-27400 / 4 + 4 gears
Monitoring / reverse protection / CanBus / Clutch, type		Yes / yes / yes / Torque converter
Transmission type / type of shift gear		Softshift – Powershift / Automatic
DRIVE AXLE & BRAKE SYSTEM		
Drive axle make / model name		Kessler D106
Drive axle type / drive axle width	/ mm	Differential + hub reduction / 4 160
Driving brake system, type / affected wheels		Oil cooled Wet Disc Brakes / drive wheels
Parking brake system, type / affected wheels		Dry disc brake / spring release / drive wheels
STEER AXLE & STEER SYSTEM		
Steer axle type / steering system		Double acting cylinder / hydraulic servo assisted
WHEELS		
Number of wheels, front + rear / type (*driven)		4*+2 / pneumatic
Tire pressure front / rear	MPa	1,0 / 1,0
Tire dimensions (Ply rating) front / rear	Inch (No)	18.00 x 33" (PR 36) / 18.00 x 33" (PR 36)
Rim dimension front / rear	Inch	13.00 x 33" / 13.00 x 33"
HYDRAULIC SYSTEM		
Hydraulic pump make / model name		Parker & Hannifin / P2-series
Hydraulic system / pump type		Load sensing system / variable piston pump
Power-on-demand / Low energy / Separate oil tanks		Yes / yes / hydraulics & brakes
Hydraulic oil pressure mast / spreader	MPa / MPa	25 / 15
TANK VOLUMES		
Diesel tank volume	L	650
Hydraulic tank volume	L	850
LIFT EQUIPMENT & SPREADER		
Spreader make / type		ELME 817-MPS / Toplift (container)
Spreader functions		20-40 ft containers
Spreader locking containers / lifting eyes		4 x top twist locks / 4 x in corners
Sideshift stroke / rotation / pile slope type (pile slope stroke)	mm / deg /	± 800 / +195 : -105 / Manual MPS / (± 2,0)
OTHERS		
Safety, Monitoring & overload system / programmable / colour		Electronic system EMC / yes / yes
Manual sliding cabin / stroke	/ mm	Yes / 1 800
Noise level (inside Cab / Lm)	DIN 45635	66
Noise level (inside Cab/ LpAZ)	EN 12053	75
Noise level (outside at 7 m/ Lwa)	2000/14/EC	111
NORMS & STANDARDS		
Machine Directive in Europe	2006 / 42 / EC	Yes
Stability of Industrial Trucks	ISO 13562	Yes
Safety of Industrial trucks	EN 1459:1998	Yes



() : SUPPORT DOWN

070412/ 3

ncnielsen

7860 Balling · tlf: 99 83 83 83 · fax: 97 56 46 24
 e-mail: linde@nc-nielsen.dk · www.nc-nielsen.dk