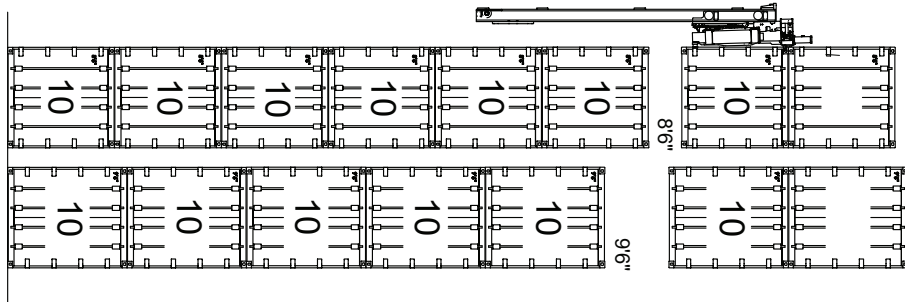
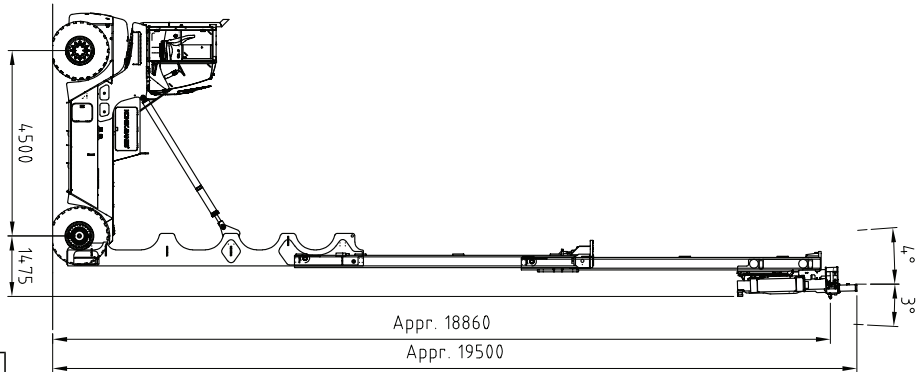
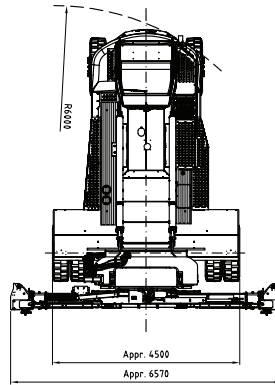
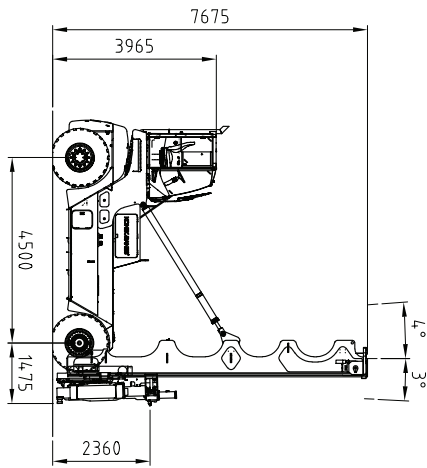


CONTAINER LIFT TRUCK SMV 6/7 ECC 100 DS

LIFTING DATA			
Lift capacity / Load center	10000 kg / 1220 mm		
Stacking height (of 9'6" / 8'6" containers)	6 (2 + 5) / 7 (2 + 6)		
Lifting speed, unloaded / at rated load	0.68 m/s / 0.61 m/s		
Lowering speed, unloaded / at rated load	0.60 m/s / 0.60 m/s		
DRIVING DATA			
Drive speed forward, unloaded / at rated load	25 km/h / 25 km/h		
Drive speed reverse, unloaded / at rated load	25 km/h / 25 km/h		
Incline (driving ability) at rated load at 0 km/h / 2 km/h	32 % / 23 %		
Towing (power ability) at rated load at 0 km/h / 2 km/h	153 kN / 120 kN		
SERVICE WEIGHT / AXLE PRESSURE			
Service weight	46800 kg		
Axle pressure front, unloaded / at rated load	30000 kg / 46400 kg		
Axle pressure rear, unloaded / at rated load	16800 kg / 6400 kg		
ENGINE (ELECTRONIC CONTROLLED)			
Engine make / model name	Volvo TAD-881-VE	Torque ISO 3046 / at speed	1175 Nm / 1400 rpm
Emission approval EU / US	EU 5	Displacement / No. of cyl. / type	8 l / Inline 6
Monitoring / EC / CanBus	Yes / Yes / Yes	Fuel consumption, normal usage	10 - 12 l/h
Fuel / type of engine / intercooler	Diesel / 4-stroke / Yes	Alternator, type/power / capacity	AC / 3080 W / 110 A
Power ISO 3046 / max speed	185 kW / 1600 rpm	Start battery, voltage/capacity	2 x 12 V / 88 Ah
TRANSMISSION (ELECTRONIC CONTROLLED)			
Transmission make / model name	ZF 4WG-191-B		
Monitoring / reverse protection / CanBus	Yes / Yes / Yes		
Clutch, type	Torque converter		
Clutch, type	Softshift – Powershift / Automatic		
No. of gears, forward/reverse	4 / 3		
DRIVE AXLE & BRAKE SYSTEM			
Drive axle make / model name	Kessler D81		
Drive axle type / drive axle width	Differential + hub reduction / 4100 mm		
Driving brake system, type / affected wheels	Oil cooled Wet Disc Brakes / drive wheels		
Parking brake system, type / affected wheels	Dry disc brake / spring release / drive wheels		
STEERING AXLE & STEERSYSTEM			
Steer axle type / steering system	Double acting cylinder / hydraulic servo assisted		
WHEELS			
Number of wheels, front + rear / type (*driven)	4*+2 / pneumatic		
Tire pressure front / rear	1.00 MPa / 1.00 MPa		
Tire dimensions (Ply rating) front / rear	14.00 x 24" (PR 24) / 14.00 x 24" (PR 24) Inch (No)		
Rim dimension front / rear	10.00 x 24"/HD / 10.00 x 24"/HD		
HYDRAULIC SYSTEM			
Hydraulic pump make / model name	Parker & Hannifin / P2-series		
Hydraulic system / pump type	Load sensing system / variable piston pump		
Power-on-demand / Low energy / Separate oil tanks	Yes / Yes / No		
Hydraulic oil pressure mast / spreader	20 MPa / 15 MPa		
VARIABLE PISTON PUMP			
Diesel tank volume	400 l	Hydraulic tank volume	430 l
LIFTING EQUIPMENT & SPREADER			
Lift mast model / mast type / design	Triplex / 3-stage / free visibility		
Spreader make / model name	ELME 584-LD		
Spreader type / capacity	Sidelift telescopic / 20-40 ft containers		
Spreader locking type / No. of containers	2 x side hooks + 2 x side clamps / 2		
Sideshift stroke	±600 mm / 4x in the corners		
Pile Slope type / pile slope stroke (side tilt)	Power Pile Slope PPS / (± 6) Deg		
NORMS & STANDARDS		OTHERS	
Machine Directive in Europe	2006 / 42 / EC	Noise level (inside Cab / Lm)	DIN 45635 70 dB(A)
Stability of Industrial Trucks	ISO 10525	Noise level (inside Cab/ LpAZ)	EN 12053 75 dB(A)
Safety of Industrial trucks	EN ISO 3691-1	Noise level (outside at 7 m/ Lwa)	2005/88/EC 110 dB(A)



Specification SMV6/ECC100DS:
 - Mast FTf.
 - Drive axle D81 W4500mm
 - ELMES84LD.

Approved	Date	Owner department	Size	Total weight kg	Sheet
Checked	Date	Lift trucks:BA Ports	A3	0.1	1/1
Designer	Date	Title	Scale		
PerSSJO	2020-03-07	LIFT TRUCK FLT	1:110		
Keywords	Specification	FTf, D81 W4500 MM	mm		
SMV6/7 ECC100DS	Product/Project reference	852506.01	Item ID - Doc. format	56603502-DRW1	
KONECRANES		Rev	1		