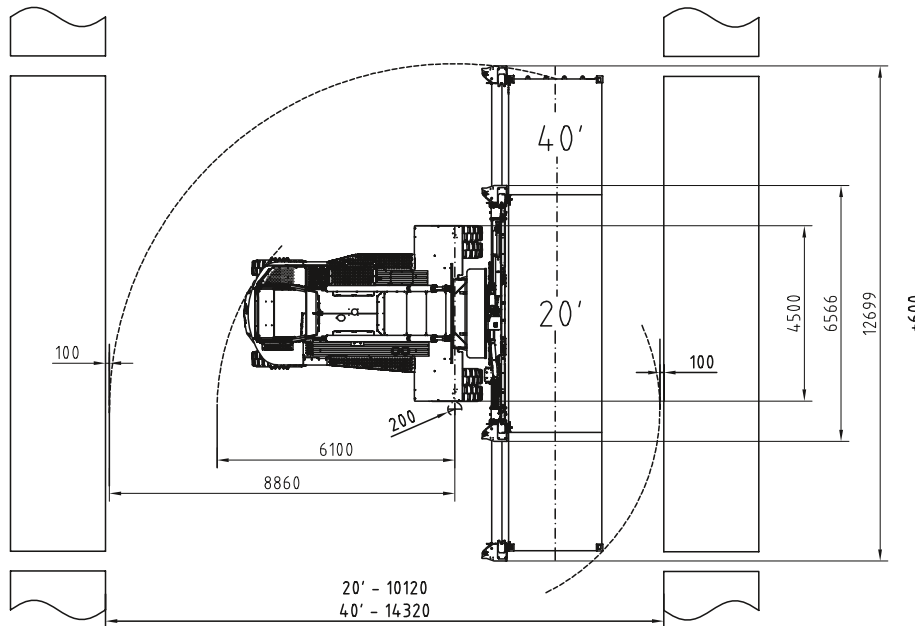
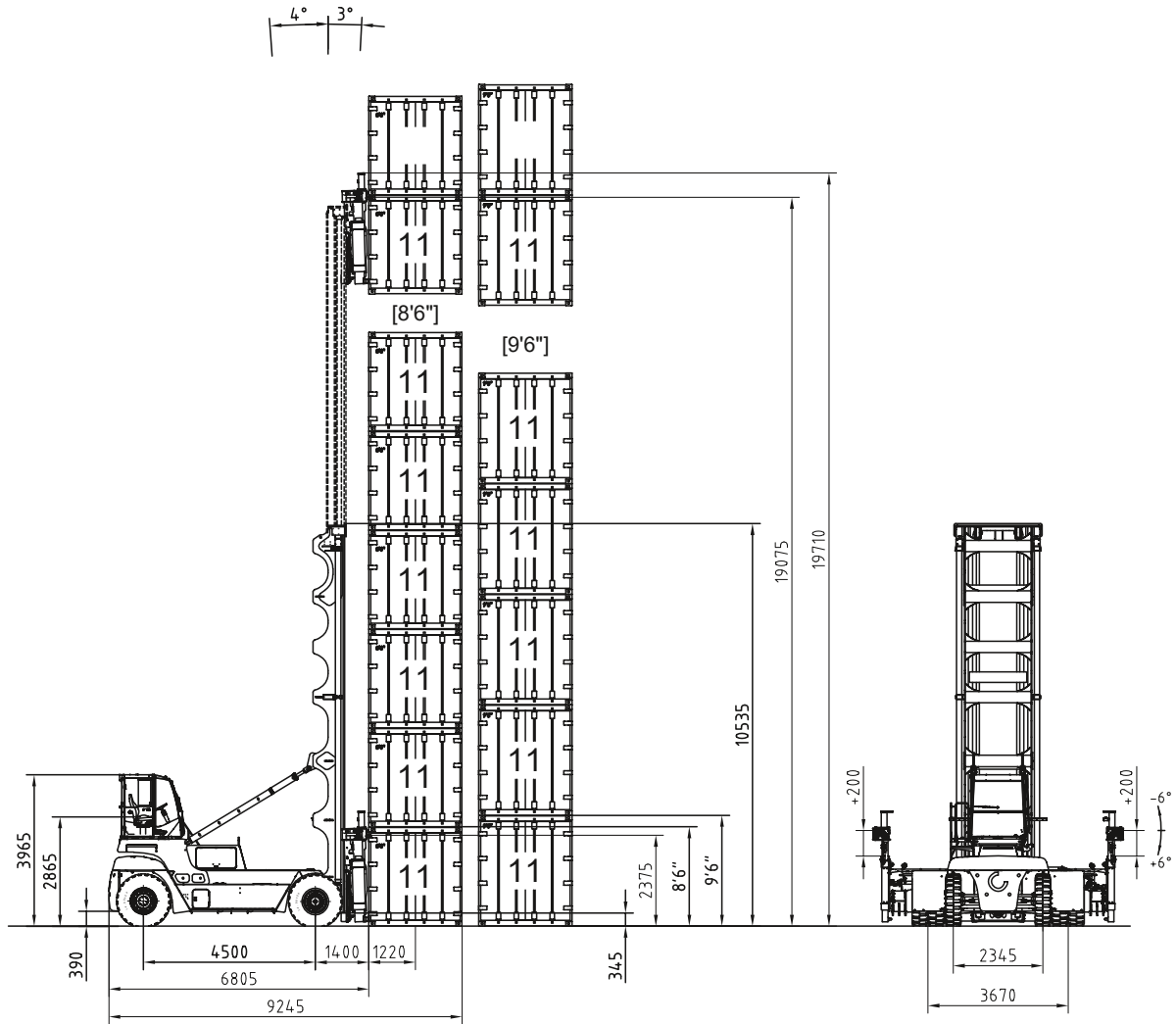


## TECHNICAL DATA : SMV 6/7 ECC 110DS

Machine type		SMV 6/7 ECC 110DS
<b>LOAD HANDLING DATA</b>		
Lifting capacity / Load center distance	kg / mm	11 000 / 1220
Stacking height (of 9'6" / 8'6" containers)		6 (2+5) / 7 (2+6)
Maximum lifting speed, unloaded / at 70% of rated load	m/s	0,63 / 0,61
Maximum lowering speed, unloaded / at rated load	m/s	0,60 / 0,60
<b>DRIVING DATA</b>		
Drive speed forward, unloaded / at rated load	km/h	25 / 25
Drive speed reverse, unloaded / at rated load	km/h	25 / 25
Incline (driving ability) at rated load at 0 km/h / at 2 km/h	%	31 / 25
Towing (power ability) at rated load at 0 km/h / at 2 km/h	kN	173 / 144
<b>SERVICE WEIGHT / AXLE LOADS</b>		
Service weight	kg	45 000
Axle load front, unloaded / at rated load	kg	28 000 / 45 400
Axle load rear, unloaded / at rated load	kg	17 000 / 10 600
<b>ENGINE</b>		
Engine make, model name		Volvo TAD881-VE
Emission approval EU / US		Stage IV / Tier 4 Final
Monitoring / emission controlled / CanBus		Yes / yes / yes
Fuel / type of engine		Diesel / 4-stroke CI
Rated power ISO 3046 / max speed	kW / rpm	185 / 2 200
Rated torque ISO 3046 / at speed	Nm / rpm	1 175 / 1 400
Displacement / No. of cylinders / configuration	L / /	7,7 / 6 / Inline
Fuel consumption, normal operations	L/h	10 – 12
Alternator, type / power / amperage	W / Amp	AC / 3 080 / 110
Starting battery, voltage / capacity	V / Ah	2 x 12 / 140
<b>TRANSMISSION</b>		
Transmission make, model name		ZF 191WG
Monitoring / reverse protection / CanBus		Yes / yes / yes
Clutch, type		Torque converter
Transmission type / type of shift gear		Softshift – Powershift / Automatic
No. of gears, forward/reverse		4/3
<b>DRIVE AXLE &amp; STEER SYSTEM</b>		
Drive axle make, model name		Kessler D91
Drive axle type		Differential + hub reduction
Service brake, type / affected wheels		Oil cooled Wet Disc Brakes / drive wheels
Parking brake, type / affected wheels		Dry disc brake / spring applied / drive wheels
<b>STEER AXLE &amp; STEER SYSTEM</b>		
Steer axle make / type		Konecranes / double acting single cylinder
Steering system		Hydraulic servo assisted / power steering
<b>WHEELS</b>		
Number of wheels, front+rear / Type (*driven)		4*+2 / pneumatic
Tire pressure front / rear	MPa	1,0 / 1,0
Tire dimensions (Ply rating) front / rear	Inch (No)	14.00 x 24" (PR 28) / 14.00 x 24" (PR 28)
Rim dimension front / rear	Inch	10.00 x 24"/HD / 10.00 x 24"/HD
<b>HYDRAULIC SYSTEM</b>		
Hydraulic pump make, model name		Parker P2-series
Hydraulic system / pump type		Load sensing system / variable axial piston pump
Power-on-demand / Low energy		Yes / yes
Hydraulic oil pressure boom / spreader	Mpa/Mpa	22,5 / 15,0
<b>TANK VOLUMES</b>		
Fuel tank volume	L	400
Hydraulic tank volume	L	410
<b>LIFTING EQUIPMENT &amp; SPREADER</b>		
Lift mast model / mats type / design		Konecranes duplex standard / 2-stage / free visibility
Spreader make / model name		ELME 584LD
Spreader type / capacity		Sidelift telescopic / 20-40 ft containers
Spreader locking type / No. of containers		2 x side hooks + 2 x side clamps / 2
Sideshift stroke	Mm	+/-600
Pile slope type / pile slope stroke (side tilt)	/ Deg, mm	Hydraulic PPS / +/-6°
<b>OTHERS</b>		
Noise level (inside Cab / Lm)      DIN 45635	dB(A)	63
EN 12053 (EU + EFTA only)	dB(A)	72
<b>NORMS &amp; STANDARDS</b>		
Stability of Industrial Trucks ISO 22915-9		Yes
Safety of Industrial Trucks EN ISO 3691-1		Yes

# TECHNICAL DATA : SMV 6/7 ECC 110DS



190620 / 3