

Features

Power and Drive system

- Linde hydrostatic drive system providing stepless, precise operator control
- Low speed, high torque diesel engine matched to hydrostatic drive and hydraulic service pump requirements

Operators compartment

- Forward positioned for optimised all-round visibility
- Impact tested loadguard structure
- Integrated overhead guard



Linde twin accelerator pedals

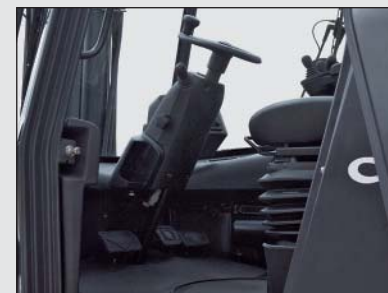
- Instant direction change
- Precise travel movement
- Reduces operator foot movement

Linde Load Control

- Standard operator controls providing effortless operation
- Twin-pedal drive system
- Linde Load Control levers
- Reduced operator stress

Modern, powerful engine

- Diesel motor, stage IIIa emissions
- 6-cylinder, 6.7 ltr
- 129 kW rated at 2200rpm
- Maximum torque, 800Nm @ 1400rpm



Operator's controls

- Linde Load Control levers
- Twin pedal drive system
- Console mounted handbrake
- Centre emergency brake pedal
- Centralised glarefree multifunction IQAN display



Linde Truck Control

- Reliable electronic controller
- High dependability resulting from redundant monitoring systems
- Automatic control of engine speed as function of load
- Casing totally enclosed for protection from dust and dirt



Linde clear-view mast

- Unique mast profile developed to facilitate both compact fork handling and also optional empty container handling
- Optimised forward visibility by placing all operational parts behind or to the outside of the mast profile
- Universal 'terminal west' type carriage system with integrated roller mounted forks



Forklift Truck
Capacity 10000 to 18000 kg
H 100 - H 180

SERIES 1401

Safety

Perfect load control and manoeuvrability in close surroundings is assured at all times. Linde achieves this by placing the cabin in a forward, optimised position to allow maximum through-mast visibility to the fork tip & load. The visibility around the machine from the operator position is optimised by the utilisation of generous glass panels to the top, rear & sides. The curved widescreen provides continued uninterrupted visibility around to the side screens.

Performance

The finely tuned hydrostatic drive system ensures precision in operation balanced with optimised speed of performance. The stepless drive system ensures that acceleration through to top speed is without mechanical intervention: providing smooth operation. The precision in operation of the hydrostatic system ensures that the operator is able to engage the load with precision, therefore limiting impact shock.

Comfort

The operators cabin is mounted to a tilting frame on high density rubber mounts, this ensures that drive, power train & operational vibrations are suppressed to provide the operator with a comfortable working place. The operator's seat is provided with hydraulic damping for additional cushioning.

Reliability

The proven reputation of the hydrostatic drive systems coupled together with the power unit provide peace of mind for the drive system; the mast and lifting device has been thoroughly tested for endurance and security in operation, to ensure a long operational life.

Productivity

With the utilisation of the world-class hydrostatic drive system, speed and precision in operation is assured, the operational characteristics of the twin pedal drive system, and Linde Load Control hydraulic operators controls, ensure that minimal operator movement is required to operate the machine, thereby saving time and limiting operator fatigue.

Subject to modification in the interests of progress. Illustrations and technical details not binding for actual constructions. All dimensions subject to usual tolerances.

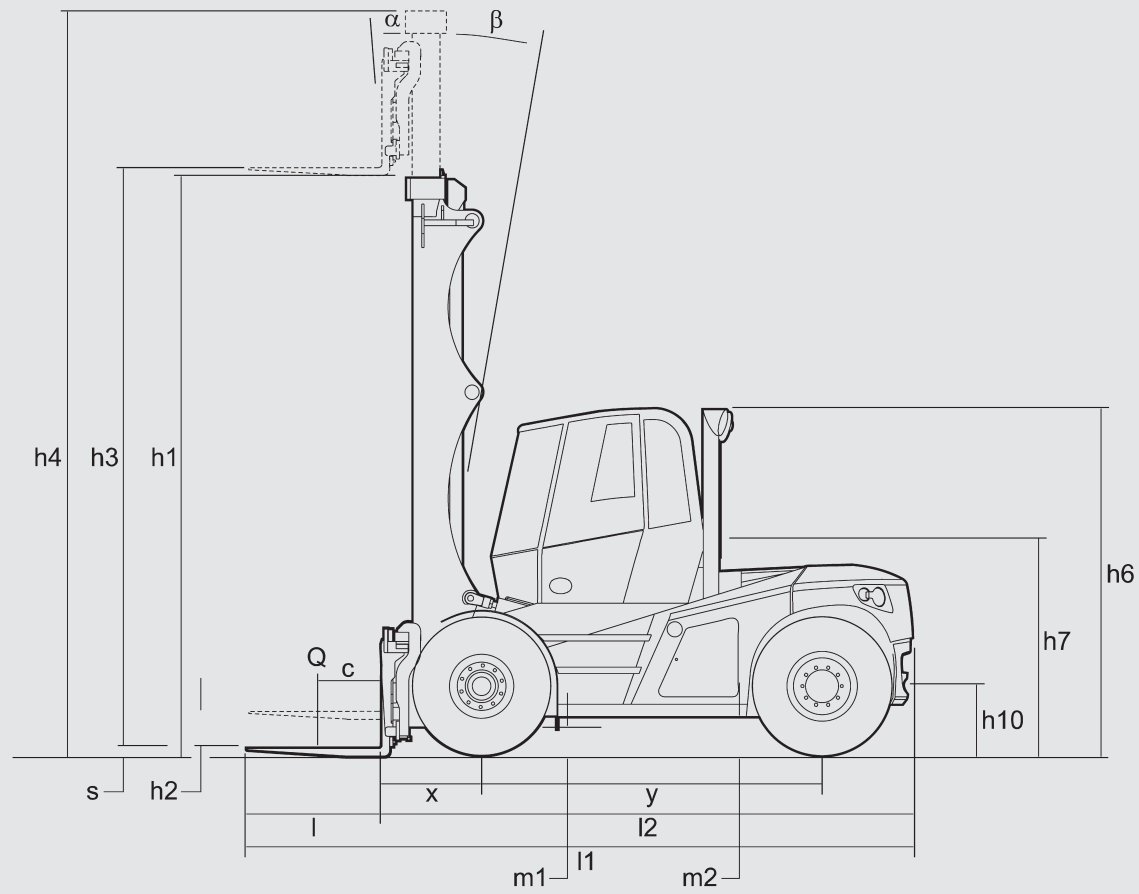
Printed in Denmark: TruckTryk 99 83 83 94

ncnielsen

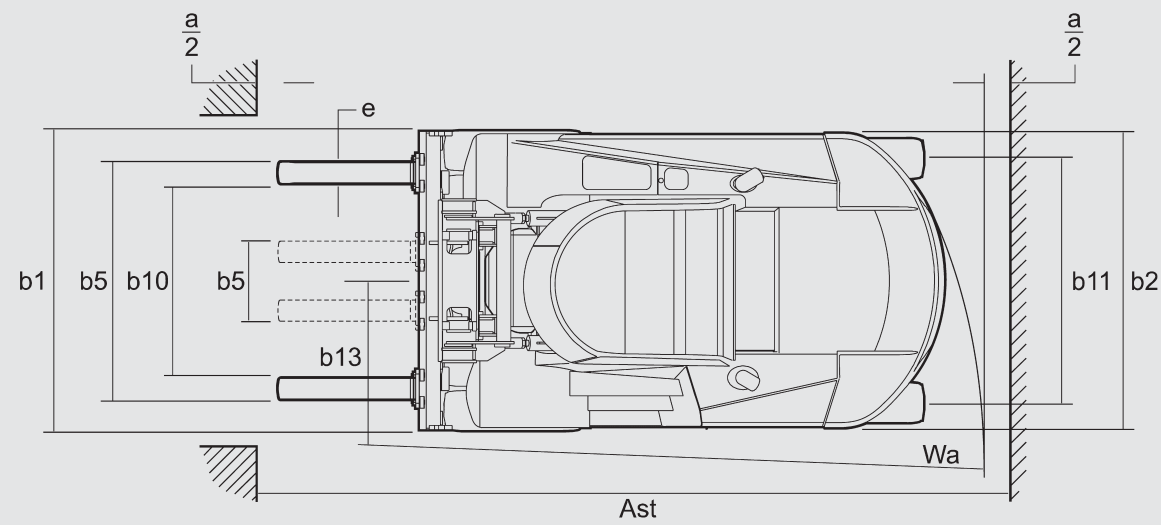
Nørregade 66
7860 Balling

Telefon 99 83 83 83 • fax 97 56 46 24
www.nc-nielsen.dk • linde@nc-nielsen.dk

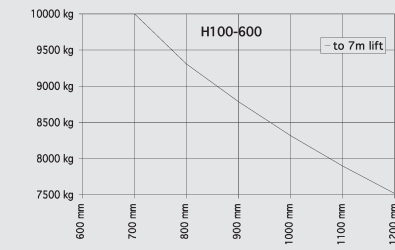




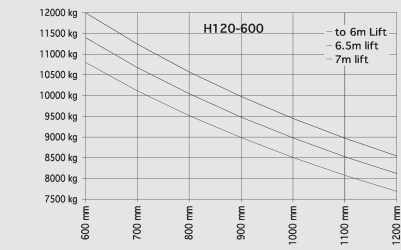
$$\frac{a}{2} = 100$$



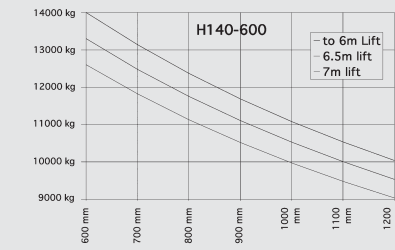
H100/600



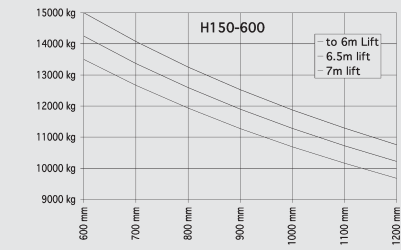
H120/600



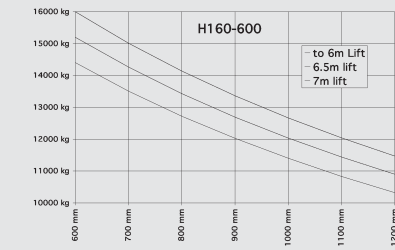
H140/600



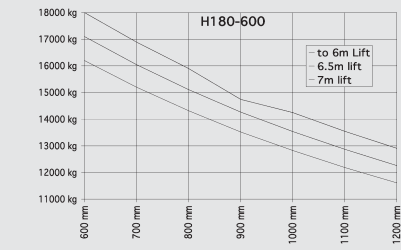
H150/600



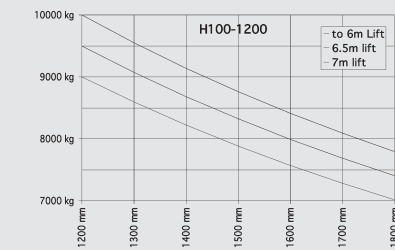
H160/600



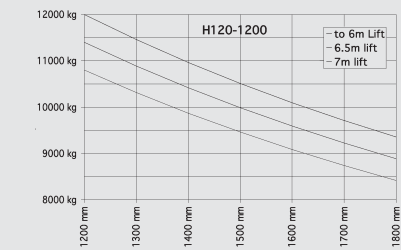
H180/600



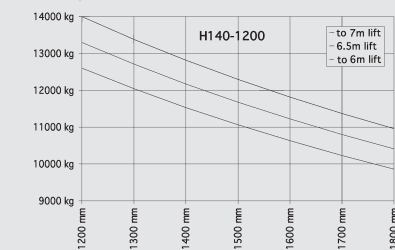
H100/1200



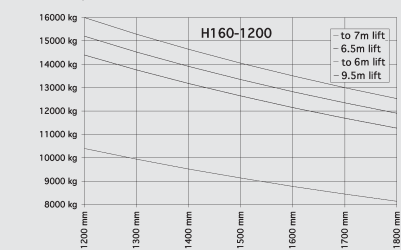
H120/1200



H140/1200



H160/1200



Standard Equipment/Optional Equipment



Standard Equipment

- Operational overhead guard height 3027mm
- Hydraulic-suspension comfort-class seat with wide range of adjustment
- Lockable, underseat storage box
- Document storage bin – left side of seat
- Linde twin drive pedals to control truck travel
- Linde Load Control for low-effort precision control of all mast functions
- adjustable steering column
- Demand-controlled hydrostatic power steering, fuel-economizing, easy and precise response
- Engine intake air cleaner with integral safety element
- High-performance hydraulic filter preserving maximum purity of oil for long life of all hydraulic components
- Manual hydraulic pump for tilting loadguard
- Floor, mat
- Single control lever – Lift/tilt operation, variable position type
- Single control lever – Fork position operation, gated type
- Central display including fuel gauge, clock, hour meter and servicing information for all important truck functions
- Abundant storage space for writing materials, beverage cans, etc.
- Pneumatic tyres

- Standard mast, lift height h3 = 4000mm
- Fork carriage, width b3 = 2545mm
- Manual fork carriage system
- Roller mounted forks
- Internal rear-view mirror
- Audible warning reverse alarm
- Mud Flaps
- 12v Socket in cabin
- Mirrors
- Chassis mounted hour counter
- 275 ltr Fuel Tank
- Standard Linde paint scheme
- Dustbowl air intake filter

Optional Equipment

- Single drive pedal in combination with direction selector in armrest
- Standard masts, 2430mm to 9500 mm lift height (model specific, refer to mast table)
- Duplex masts (full free lift), 2580mm to 7000 mm lift height (model specific)
- Triple mast (Full free lift) – 4000mm to 10000mm lift height (model specific)
- Integral fork positioner
- Single and double auxiliary hydraulics for all mast types
- Alternative fork lengths
- Fork carrier to suit standard pin-type or hook-on forks
- Pin-type mounted forks
- Hook-on type forks
- Flat face carrier
- Alternative carriage widths – 3000 mm, 3500 mm, 4000 mm, 4500mm
- Overhead guard add-ons – Front screen, top window, rear window
- Cabin with front, top and rear washer/wipers with heater and right hand sliding window
- Deluxe cabin with climate control, heated seat, adjustable steering column, roof and front screen blinds, front, top and rear washer/wipers and right hand sliding window
- Seat incorporating air suspension with compressor
- Individual levers – lift and tilt
- Individual levers – Forkspread and sideshift
- Gated lever – additional hydraulic service

- Individual levers – additional hydraulic service
- Radio with compact disc player and speakers
- Truck lights, work lamps
- Highway specifications
- Integral particulate filter with loading indicator in display for diesel-engine version
- Engine air precleaner
- Reversing warning signal, beacon lamps
- Blinds – roof and front screen
- Accumulator for hydraulic service
- On-board battery charger
- High level air intake for heating system
- Electrically operated tilting loadguard for service access
- Rear View Camera system and screen
- Custom paintwork

Standard H100/H120																
h3	Lift	3090	3500	4000	4500	5000	5500	6000	6500	7000	-	-	-	-		
h3 + s	Lift Height	3090	3590	4090	4590	5090	5590	6090	6590	7090	-	-	-	-		
h2	Free Lift	150	150	150	150	150	150	150	150	150	-	-	-	-		
h1	Height of mast, lowered	2875	3080	3330	3580	3830	4080	4330	4580	4830	-	-	-	-		
h1 + h2	Height of mast with freelif	2875	3155	3405	3655	3905	4155	4405	4655	4905	-	-	-	-		
h4	Height of mast, Extended	4420	4830	5330	5830	6330	6830	7330	7830	8330	-	-	-	-		
	Tilt Forward/back	5/7	5/7	5/10	5/10	5/10	5/10	5/10	5/10	5/10	-	-	-	-		
				1)						2)						
Standard H140/H150/H160/H180/H100-1200/H120-1200																
h3	Lift	2430	3000	3500	4000	4500	5000	5500	6000	6500	7000	-	-	-		
h3 + s	Lift Height	2430	3100	3600	4100	4600	5100	5600	6100	6600	7100	-	-	-		
h2	Free Lift	150	150	150	150	150	150	150	150	150	-	-	-	-		
h1	Height of mast, lowered	2875	3160	3410	3660	3910	4160	4410	4660	4910	5160	-	-	-		
h1 + h2	Height of mast with freelif	2875	3235	3485	3735	3985	4235	4485	4735	4985	5235	-	-	-		
h4	Height of mast, Extended	4090	4660	5160	5660	6160	6660	7160	7660	8160	8660	-	-	-		
	Tilt Forward/back	5/6	5/7	5/9	5/10	5/10	5/10	5/10	5/10	5/10	5/10	-	-	-		
				1)							2)					
Standard H140-1200/H160-1200																
h3	Lift	2430	3000	3500	4000	4500	5000	5500	6000	6500	7000	7500	8000	8500	9000	9500
h3 + s	Lift Height	2430	3100	3600	4100	4600	5100	5600	6100	6600	7100	7600	8100	8600	9100	9600
h2	Free Lift	150	150	150	150	150	150	150	150	150	150	150	150	150	150	150
h1	Height of mast, lowered	2875	3160	3410	3660	3910	4160	4410	4660	4910	5160	5410	5660	5960	6160	6410
h1 + h2	Height of mast with freelif	2875	3235	3485	3735	3985	4235	4485	4735	4985	5235	5485	5735	6035	6235	6485
h4	Height of mast, Extended	4090	4660	5160	5660	6160	6660	7160	7660	8160	8660	9160	9660	10160	10660	11160
-	Tilt Forward/back	5/6	5/7	5/9	5/10	5/10	5/10	5/10	5/10	5/10	5/10	5/10	5/10	5/10	5/10	5/10
				1)								2)				3)

1) 2 High 9'6" on sidelift beam
 2) 3 High 9'6" on sidelift beam
 3) 4 High 9'6" on sidelift beam

Technical Data according to VDI 2198

		Model designation										
		LINDE	LINDE	LINDE	LINDE	LINDE	LINDE	LINDE	LINDE	LINDE	LINDE	LINDE
Characteristics	1.1	Manufacturer	LINDE	LINDE	LINDE	LINDE	LINDE	LINDE	LINDE	LINDE	LINDE	LINDE
	1.2	Model designation	H100/600	H120/600	H140/600	H150/600	H160/600	H180/600	H100/1200	H120/1200	H140/1200	H160/1200
	1.3	Power unit	Diesel	Diesel	Diesel	Diesel	Diesel	Diesel	Diesel	Diesel	Diesel	Diesel
	1.4	Operation	Seat	Seat	Seat	Seat	Seat	Seat	Seat	Seat	Seat	Seat
	1.5	Load capacity	Q (t)	10.0	12.0	14.0	15.0	16.0	18.0	10.0	12.0	14.0
	1.6	Load centre	c (mm)	600	600	600	600	600	600	1200	1200	1200
	1.8	Axle centre to fork face	x (mm)	847	847	884	884	884	884	884	884	929
	1.9	Wheelbase	y (mm)	2960	2960	2960	2960	3300	3300	3300	3300	3300
	2.1	Service weight	(kg)	18297	18297	20527	21987	20646	22082	20288	21540	22802
Weights	2.2	Axle load with load, front/rear	(kg)	24905 / 3392	27882 / 2415	30877 / 3650	32348 / 4639	32761 / 3885	35609 / 4473	26523 / 3765	30040 / 3500	33691 / 3111
	2.3	Axle load without load, front/rear	(kg)	10016 / 8281	10016 / 8281	9858 / 10669	9828 / 12159	9566 / 11080	9514 / 12568	10208 / 10080	10462 / 11078	10659 / 12143
	3.1	Tyres rubber, SE, pneumatic, polyurethane		Pneumatic	Pneumatic	Pneumatic	Pneumatic	Pneumatic	Pneumatic	Pneumatic	Pneumatic	Pneumatic
Wheels/Tyres	3.2	Tyre size, front		10.00-20 / 16PR	10.00-20 / 16PR	12.00-20 / 20PR	12.00-20 / 20PR	12.00-20 / 20PR	12.00-20 / 20PR	12.00-20 / 20PR	12.00-20 / 20PR	12.00-20 / 20PR
	3.3	Tyre size, rear		10.00-20 / 16PR	10.00-20 / 16PR	12.00-20 / 20PR	12.00-20 / 20PR	12.00-20 / 20PR	12.00-20 / 20PR	12.00-20 / 20PR	12.00-20 / 20PR	12.00-20 / 20PR
	3.5	Wheels, number front/rear (x = driven)		4x / 2	4x / 2	4x / 2	4x / 2	4x / 2	4x / 2	4x / 2	4x / 2	4x / 2
	3.6	Track width, front	b10 (mm)	1874	1874	1874	1874	1874	1874	1874	1874	1874
	3.7	Track width, rear	b11 (mm)	1767	1767	1767	1767	1767	1767	1767	1767	1767
	4.1	Mast/fork carriage tilt, forward/backward	a/b (°)	5.0 / 10.0	5.0 / 10.0	5.0 / 10.0	5.0 / 10.0	5.0 / 10.0	5.0 / 10.0	5.0 / 10.0	5.0 / 10.0	5.0 / 10.0
	4.2	Height of mast, lowered	h1 (mm)	3329	3329	3661	3661	3661	3661	3661	3661	3661
Dimensions	4.3	Free lift	h2 (mm)	0	0	0	0	0	0	0	0	
	4.4	Lift	h3 (mm)	4000	4000	4000	4000	4000	4000	4000	4000	
	4.5	Height of mast, extended	h4 (mm)	5329	5329	5661	5661	5661	5661	5661	5661	
	4.7	Height of overhead guard (cabin)	h6 (mm)	3010	3010	3035	3035	3035	3035	3035	3035	
	4.8	Height of seat/stand-on platform	h7 (mm)	1869	1869	1894	1894	1894	1894	1894	1894	
	4.12	Towing coupling height	h10 (mm)	519	519	544	544	544	544	544	544	
	4.19	Overall length	l1 (mm)	5961	5961	6119	6119	6459	6459	7459	7459	
	4.20	Length to fork face	l2 (mm)	4550	4550	4719	4719	5059	5059	5059	5104	
	4.21	Overall width	b1/b2 (mm)	2545 / 2545	2545 / 2545	2545 / 2545	2545 / 2545	2545 / 2545	2545 / 2545	2545 / 2545	2545 / 2545	
	4.22	Fork dimensions	s/e/l (mm)	90 x 200 x 1400	90 x 200 x 1400	100 x 200 x 1400	100 x 200 x 1400	100 x 200 x 1400	100 x 200 x 1400	100 x 200 x 2400	100 x 200 x 2400	
	4.23	Fork carriage to ISO 2328, class/type A, B		Hyd Fork Posn.	Hyd Fork Posn.	Hyd Fork Posn.	Hyd Fork Posn.	Hyd Fork Posn.	Hyd Fork Posn.	Hyd Fork Posn.	Hyd Fork Posn.	
	4.24	Width of fork carriage	b3 (mm)	2545	2545	2545	2545	2545	2545	2545	2545	
	4.25	Fork spread, min/max	b5 (mm)	610 / 2274	610 / 2274	620 / 2220	620 / 2220	620 / 2220	620 / 2220	620 / 2220	720 / 2290	
	4.31	Ground clearance, below mast	m1 (mm)	172	172	200	200	200	200	200	200	
	4.32	Ground clearance, centre of wheelbase	m2 (mm)	335	335	360	360	360	360	360	360	
	4.33	Aisle width with pallet 1000 x 1200 across forks	Ast (mm)	6539 (6139)**	6539 (6139)**	6690 (6290)**	6690 (6290)**	7062 (6662)**	7062 (6662)**	8062 (6662)**	8062 (6662)**	
	4.34	Aisle width with pallet 800 x 1200 along forks	Ast (mm)	6539 (6339)**	6539 (6339)**	6690 (6490)**	6690 (6490)**	7062 (6862)**	7062 (6862)**	8062 (6862)**	8062 (6862)**	
	4.34e	Aisle width with load length 2400 mm	Ast (mm)	-	-	-	-	-	-	8062	8062	
	4.35	Turning radius	Wa (mm)	4092	4092	4206	4206	4578	4578	4578	4578	
	4.36	Minimum pivoting point distance	b13 (mm)	1359	1359	1359	1359	1515	1515	1515	1515	
Performance	5.1	Travel speed, with/without load	(km/h)	27.9 / 30	27.9 / 30	29.7 / 30	29.7 / 30	29.7 / 30	29.7 / 30	29.7 / 30	29.7 / 30	
	5.2	Lifting speed, with/without load	(m/s)	0.52 / 0.56	0.52 / 0.54	0.41 / 0.44	0.41 / 0.44	0.4 / 0.45	0.37 / 0.34	0.42 / 0.45	0.42 / 0.45	
	5.3	Lowering speed, with/without load	(m/s)	0.52 / 0.46	0.53 / 0.47	0.54 / 0.42	0.54 / 0.42	0.55 / 0.41	0.53 / 0.32	0.55 / 0.43	0.55 / 0.43	
	5.5	Tractive force, with/without load	(N)	57000 / -	57000 / -	77400 / -	77400 / -	77400 / -	77400 / -	77400 / -	77400 / -	
	5.7	Climbing ability, with/without load	(%)	>22.5 / -	>22.5 / -	>26.8 / -	26.8 / -	>26.8 / -	26.8 / -	>23.0 / -	>23.0 / -	
	5.9	Acceleration time, with/without load	(s)	5.5 / 4.6	5.5 / 4.6	6.2 / 5.4	6.2 / 5.4	6.2 / 5.4	6.2 / 5.4	6.2 / 5.4	6.2 / 5.4	
	5.10	Service brake		hydrostatic	hydrostatic	hydrostatic	hydrostatic	hydrostatic	hydrostatic	hydrostatic	hydrostatic	
6.4	Battery voltage/rated capacity (5h)	(V/Ah)	24 (2x 12) / 95	24 (2x 12) / 95	24 (2x 12) / 95	24 (2x 12) / 95	24 (2x 12) / 95	24 (2x 12) / 95	24 (2x 12) / 95	24 (2x 12) / 95		
IC-Drive	7.1	Engine manufacturer/type		Cummins QSB 6.7	Cummins QSB 6.7	Cummins QSB 6.7	Cummins QSB 6.7	Cummins QSB 6.7	Cummins QSB 6.7	Cummins QSB 6.7	Cummins QSB 6.7	
	7.2	Engine performance according to ISO 1585	(kW)	129	129	129	129	129	129	129	129	
	7.3	Rated speed	(1/min)	2200	2200	2200	2200	2200	2200	2200	2200	
	7.4	Number of cylinders/displacement	(-/cm3)	6 / 6700	6 / 6700	6 / 6700	6 / 6700	6 / 6700	6 / 6700	6 / 6700	6 / 6700	
Others	8.1	Type of drive control		hydrost./stepl.	hydrost./stepl.	hydrost./stepl.	hydrost./stepl.	hydrost./stepl.	hydrost./stepl.	hydrost./stepl.	hydrost./stepl.	
	8.2	Operating pressure for attachments	(bar)	250	250	250	250	250	250	250	250	
	8.3	Oil flow for attachments	(l/min)	5-100	5-100	5-100	5-100	5-100	5-100	5-100	5-100	
	8.4	Noise level at operator's ear	(dB(A))	74.0	74.0	74.0	74.0	74.0	74.0	74.0	74.0	
	8.5	Towing coupling, design/type, DIN 15 170		Ø 50 mm	Ø 50 mm	Ø 50 mm	Ø 50 mm	Ø 50 mm	Ø 50 mm	Ø 50 mm	Ø 50 mm	

1) Including a 200 mm (min.) operating aisle clearance.
2) Figures in () if fork length < or = 1000 mm

3) Figures in () if fork length < or = 1200 mm