



Stand-on Pallet Truck

Capacity 1400, 2000 & 2500 kg
T14 S, T20 S/SF, T25 S/SF

Series 1154

Safety

High performance combined with safety. The operator's body remains safely within the chassis contours at all time. A deadman foot switch ensures instant braking response when necessary. The truck comes rapidly to a smooth stop thanks to an electromagnetic brake which acts proportionally to the load on the forks. Due to its compact chassis, the fork tips are easily visible ensuring safe load handling.

Performance

One of the truck's great strengths is its productivity. The compact drive unit permits precise manoeuvring for reaching the utmost performance. With capacity from 1,400 kg up to 2,500 kg, and a powerful maintenance-free 3 kW drive motor providing a maximum speed of 12 km/h, the Stand-on Pallet Truck is ideally suited to intensive lorry loading and unloading and rapid pallet transfer applications.

Comfort

The fully suspended operator compartment, completely decoupled from the chassis keeps the driver concentrated and maintains high efficiency levels throughout the shift. Allied with a padded backrest, the operator's stability is assured.

Reliability

Rugged construction and the use of tried and tested components make this a truck that can be relied on. Smooth fork entry into close pallets is assured by the profiled shape of the fork tips and the entry skid. These features guarantee a longer operating life combined with fast, safe and easy load handling.

Service

Efficiency at work and efficiency in servicing with cost effective maintenance routine. Easy access to all components and maintenance-free technology also play their part in increasing truck uptime and availability. CAN bus connectivity provides a computerised diagnostic system for rapid analysis to ensure maintenance intervals are also minimised.

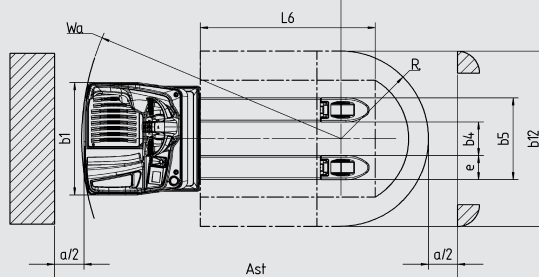
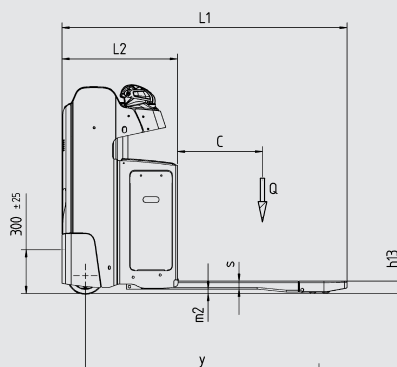
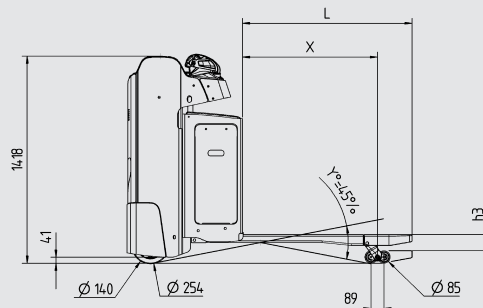
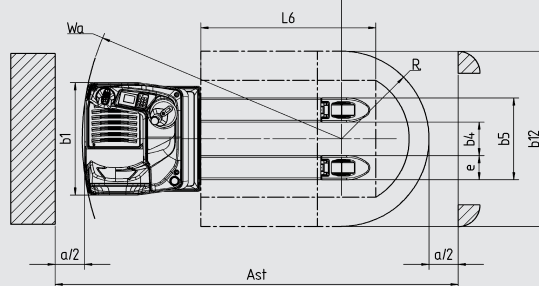
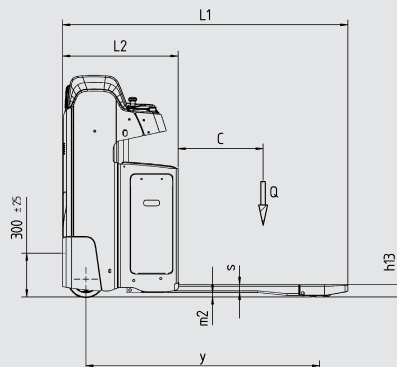
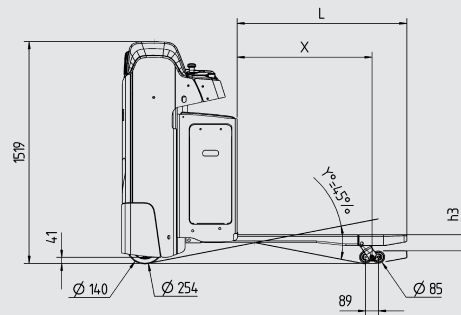
Linde Material Handling

Linde

Technical Data according to VDI 2198

Characteristics	1.1	Manufacturer		LINDE	LINDE	LINDE
	1.2	Manufacturer's type designation		T145	T205	T255
	1.2a	Series		1154-00	1154-00	1154-00
	1.3	Power unit		Battery	Battery	Battery
	1.4	Operation		Stand on	Stand on	Stand on
	1.5	Load capacity/Load	Q (t)	1.4	2.0	2.5
	1.6	Load centre distance	c (mm)	600	600	800
	1.8	Axle centre to fork face	x (mm)	895 / 965 ¹⁾²⁾	895 / 965 ¹⁾²⁾	1345 / 1415 ¹⁾²⁾
	1.9	Wheelbase	y (mm)	1533 / 1603 ¹⁾²⁾	1533 / 1603 ¹⁾²⁾	1983 / 2053 ¹⁾²⁾
Weights	2.1	Service weight	(kg)	800 ³⁾⁴⁾	848 ³⁾⁴⁾	944 ³⁾⁴⁾
	2.2	Axle load with load, front/rear	(kg)	881 / 1319 ³⁾⁴⁾	1057 / 1791 ³⁾⁴⁾	1426 / 2018 ³⁾⁴⁾
	2.3	Axle load without load, front/rear	(kg)	612 / 188 ³⁾⁴⁾	672 / 176 ³⁾⁴⁾	739 / 205 ³⁾⁴⁾
Wheels/Tyres	3.1	Tyres rubber, SE, pneumatic, polyurethane		V+P/P ⁵⁾	V+P/P ⁵⁾	V+P/P ⁵⁾
	3.2	Tyre size, front		Ø 230 x 90	Ø 254 x 102	Ø 254 x 102
	3.3	Tyre size, rear		Ø 85 x 105 (2x Ø 85 x 80) ⁶⁾	Ø 85 x 105 (2x Ø 85 x 80) ⁶⁾	Ø 85 x 105 (2x Ø 85 x 80) ⁶⁾
	3.5	Wheels, number front/rear (x = driven)		1x + 2 / 2 (1x + 2 / 4) ⁶⁾	1x + 2 / 2 (1x + 2 / 4) ⁶⁾	1x + 2 / 2 (1x + 2 / 4) ⁶⁾
	3.6	Track width, front	b10 (mm)	484 ²⁾	484 ²⁾	484 ²⁾
	3.7	Track width, rear	b11 (mm)	395 ²⁾	395 ²⁾	395 ²⁾
Dimensions	4.4	Lift	h3 (mm)	125 ²⁾	125 ²⁾	125 ²⁾
	4.15	Height, lowered	h13 (mm)	88	88	88
	4.19	Overall length	l1 (mm)	1950 ²⁾	1950 ²⁾	2400 ²⁾
	4.20	Length to fork face	l2 (mm)	800 ²⁾	800 ²⁾	800 ²⁾
	4.21	Overall width	b1/b2 (mm)	770 ²⁾	770 ²⁾	770 ²⁾
	4.22	Fork dimensions DIN ISO 2331	s/e/l (mm)	55 x 165 x 1150	55 x 165 x 1150	55 x 165 x 1600
	4.25	Fork spread	b5 (mm)	520/540/560/680 ²⁾	520/540/560/680 ²⁾	520/540/560/680 ²⁾
	4.32	Ground clearance, centre of wheelbase	m2 (mm)	30 ⁷⁾	30 ⁷⁾	30 ⁷⁾
	4.34.1	Aisle width for pallets 1000 x 1200 crossways	Ast (mm)	2015 ⁸⁾	2015 ⁸⁾	3226 ⁸⁾
	4.34.2	Aisle width with pallet 800 x 1200 along forks	Ast (mm)	2215 ⁸⁾	2215 ⁸⁾	3826 ⁸⁾⁹⁾
	4.35	Turning radius	Wa (mm)	1710 / 1780 ¹⁾	1710 / 1780 ¹⁾	2160 / 2230 ¹⁾
	Performance	5.1	Travel speed, with/without load	(km/h)	8 / 10 ¹⁰⁾	10 / 12 ¹⁰⁾
5.2		Lifting speed, with/without load	(m/s)	0.04 / 0.047 ⁴⁾	0.036 / 0.043 ⁴⁾	0.027 / 0.034 ⁴⁾
5.3		Lowering speed, with/without load	(m/s)	0.074 / 0.07 ⁴⁾	0.064 / 0.059 ⁴⁾	0.067 / 0.059 ⁴⁾
5.8		Maximum climbing ability, with/without load	(%)	16.0 / 20.0	15.0 / 20.0	9.0 / 20.0
5.10		Service brake		Electro-magnetic	Electro-magnetic	Electro-magnetic
Drive		6.1	Drive motor rating S2 60 min	(kW)	2.3	3
	6.2	Lift motor rating at S3 15%	(kW)	1.2	1.2	1.2
	6.3	Battery according to DIN 43531/35/36 A,B,C,no		43 535 / B	43 535 / B	43 535 / B
	6.4	Battery voltage/rated capacity (5h)	(V)/(Ah)	24 / 345/375	24 / 345/375	24 / 345/375
	6.5	Battery weight (± 5%)	(kg)	287	287	287
	6.6	Power consumption according to VDI cycle	(kWh/h)	0.33	0.4	0.53
8.1	Type of drive unit		LAC	LAC	LAC	
10.7	Sound pressure level LpAZ (at the driver's seat)	(dB(A))	62 ¹¹⁾	65 ¹¹⁾	-	
1) Forks upraised / lowered 2) (± 5 mm) 3) Figures with battery, see line 6.4/6.5. 4) (± 10%) 5) Solid rubber + polyurethane / polyurethane 6) Figures in parenthesis with tandem load wheels.				7) (± 2 mm) 8) Including a 200 mm (min.) operating aisle clearance. 9) With load: pallet 2x 800x1200 mm crosswise 10) (± 5%) 11) (± 2,5)		

LINDE	LINDE
T20SF	T25SF
1154-00	1154-00
Battery	Battery
Stand on	Stand on
2.0	2.5
600	800
895 / 965 ¹⁾²⁾	1345 / 1415 ¹⁾²⁾
1533 / 1603 ¹⁾²⁾	1983 / 2053 ¹⁾²⁾
848 ³⁾⁴⁾	944 ³⁾⁴⁾
1057 / 1791 ³⁾⁴⁾	1426 / 2018 ³⁾⁴⁾
672 / 176 ³⁾⁴⁾	739 / 205 ³⁾⁴⁾
V+P/P ⁵⁾	V+P/P ⁵⁾
Ø 254 x 102	Ø 254 x 102
Ø 85 x 105 (2x Ø 85 x 80) ⁶⁾	Ø 85 x 105 (2x Ø 85 x 80) ⁶⁾
1x + 2 / 2 (1x + 2 / 4) ⁶⁾	1x + 2 / 2 (1x + 2 / 4) ⁶⁾
484 ²⁾	484 ²⁾
395 ²⁾	395 ²⁾
125 ²⁾	125 ²⁾
88	88
1950 ²⁾	2400 ²⁾
800 ²⁾	800 ²⁾
770 ²⁾	770 ²⁾
55 x 165 x 1150	55 x 165 x 1600
520/540/560/680 ²⁾	520/540/560/680 ²⁾
30 ⁷⁾	30 ⁷⁾
2015 ⁸⁾	3226 ⁸⁾
2215 ⁸⁾	3826 ⁸⁾⁹⁾
1710 / 1780 ¹⁾	2160 / 2230 ¹⁾
10 / 12 ¹⁰⁾	10 / 12 ¹⁰⁾
0.036 / 0.043 ⁴⁾	0.027 / 0.034 ⁴⁾
0.064 / 0.059 ⁴⁾	0.067 / 0.059 ⁴⁾
15.0 / 20.0	9.0 / 20.0
Electro-magnetic	Electro-magnetic
3	3
1.2	1.2
43 535 / B	43 535 / B
24 / 345/375	24 / 345/375
287	287
0.4	0.53
LAC	LAC
65 ¹¹⁾	-



Features

Fully suspended operator compartment

- Standard on 2t & 2.5t versions
- Suspended floor on T14 S
- Decoupled stand-on platform and drive unit from the chassis (S and SF)
- Comfortable and curved padded backrest (S)
- Significant reduction of vibrations transmitted to the body
- Ergonomic 90° driving position (S)



Multiple driving positions

- Side (S) version: vertical to forks direction
- Tip Control, an innovative drive and lift control unit
- Steering wheel on right or left side
- Ergonomic driving position with comfortable backrest
- Stand Front (SF) version: in forks direction
- Twin grip handle bar

Narrow chassis

- Chassis width = 770mm
- Small I2 dimension = 800mm
- High maneuverability when operating in lorries or confined spaces
- High stand-on position for good visibility
- Stable 4 point configuration



Tip Control

- Traction, lift controls and horn grouped in one single ergonomic unit
- Enables one-handed operations
- High modularity : either left or right side
- Height adjustable hand platform
- Available on Side (S) version



Drive control and settings

- Steering effort adjusts automatically to speed and turning radius
- Speed is automatically reduced in relation to the steering angle
- Power settings available
- ECO-Mode up to 12% energy savings to finish shift with low battery status



Workstation

- Multifunctional coloured display with easy & ergonomic menu structure
- Truck access control by PIN code or ignition key
- Wide and deep storage compartment for work gloves, writing utensils etc
- Support clipboard DIN A4, flashing beacon available as option

Battery & chargers

- Battery tray for DIN batteries
- 24V batteries : capacities from 345 Ah (3PzS) to 500 Ah (4PzS)
- Lateral battery change with ergonomic battery lever & spring (option)

AC motor

- Powerful, 3 kW drive motor
- Maintenance-free, moisture and dust proof AC motor
- Three power settings
- Gradient performance of max. 15% (laden)
- No roll back on gradient starts
- High torque motor negotiates loading docks with ease

Subject to modification in the interest of progress. Illustrations and technical details could include options and not binding for actual constructions. All dimensions subject to usual tolerances.

ncnielsen

Nørregade 66

7860 Balling

Telefon 99 83 83 83 • fax 97 56 46 24

www.nc-nielsen.dk • linde@nc-nielsen.dk

Linde Material Handling